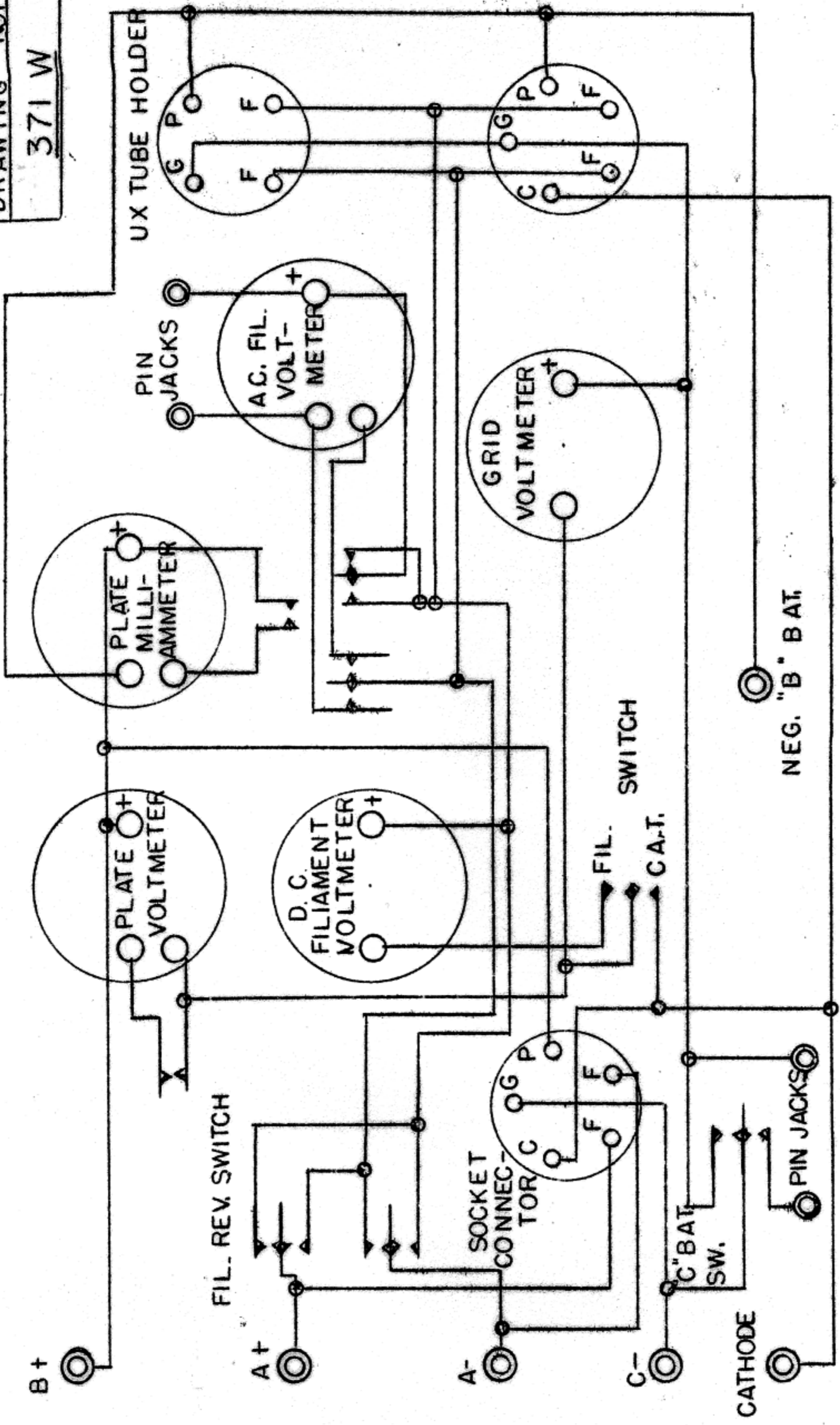


DRAWING NO.
371 W



WIRING DIAGRAM AC-4600

THE HICKOK ELECTRICAL INSTRUMENT COMPANY
CLEVELAND, OHIO

DR. & TR. *[Signature]* CHECKED J.C. DATE 6-23-39

This Document Provided Free

At

www.StevenJohnson.com

NOT FOR RESALE