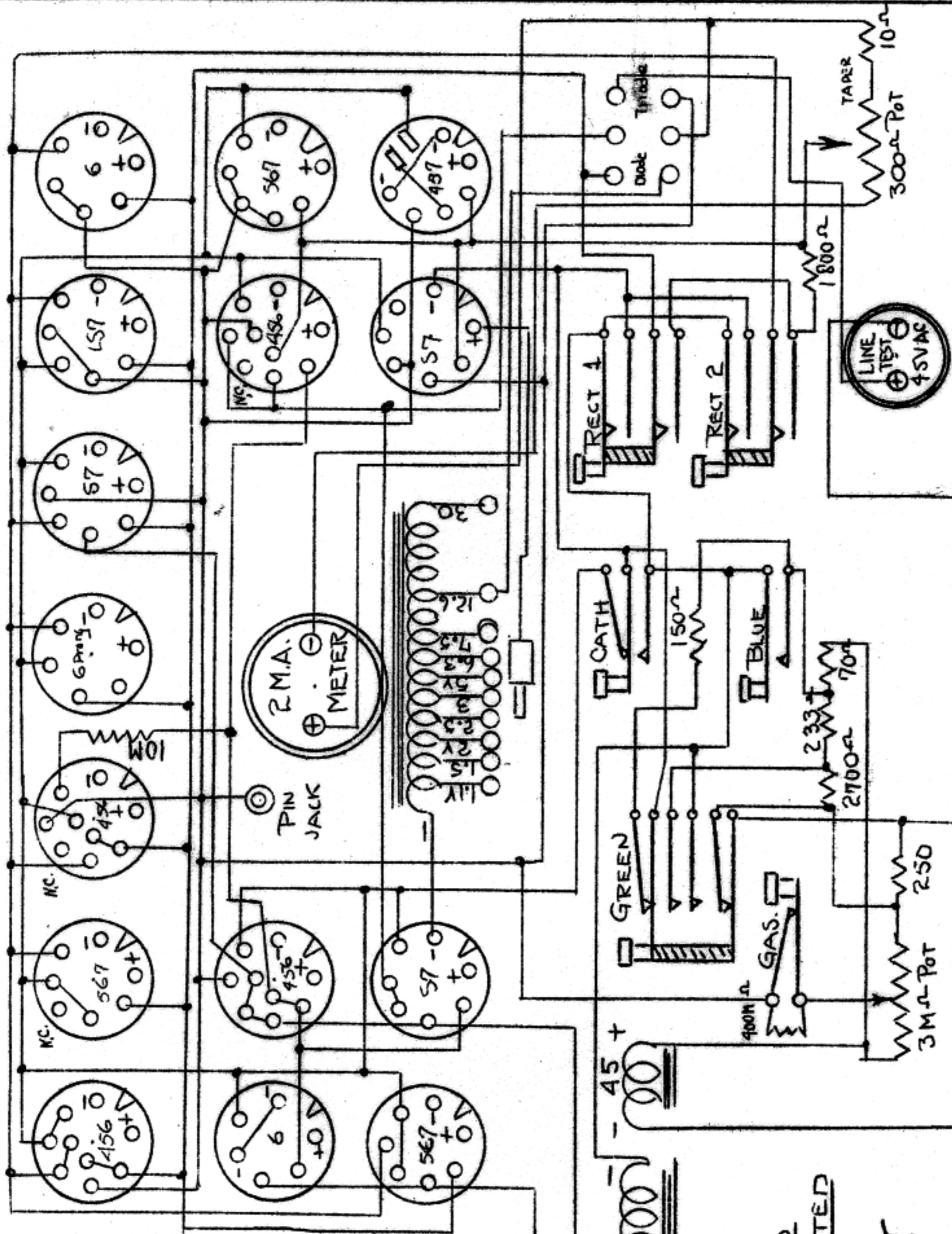
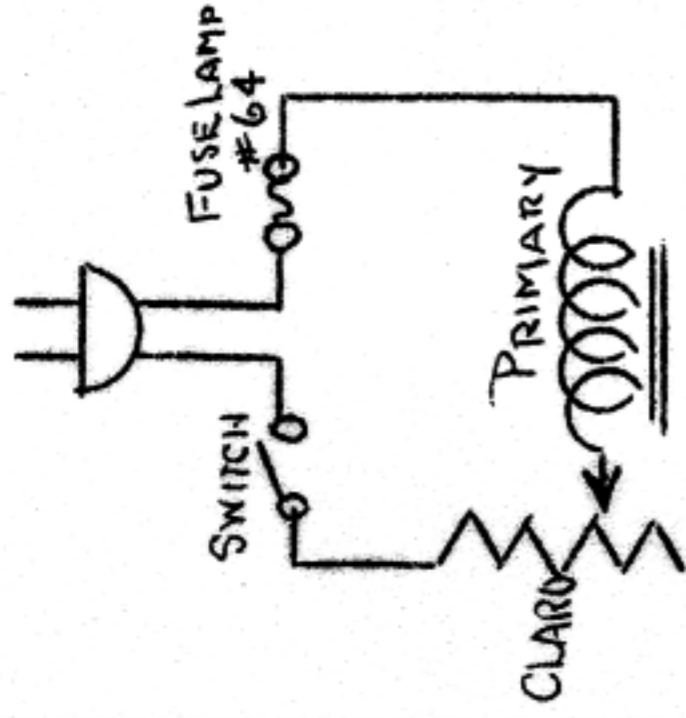


DWG No 234W

110 VOLTS AC



ALL POSITIVES (+) AND  
NEGATIVES (-) CONNECTED

BOTTOM VIEW

THE HICKOK ELECTRICAL INST. CO.  
CLEVELAND, OHIO  
DR. BY M.A.M. CH'KD BY F.R.  
TR. BY M.A.M. DATE 6-22-37

WIRING DIA. DIAMOND POINT JR. '34

**This Document Provided Free**

**At**

**[www.StevenJohnson.com](http://www.StevenJohnson.com)**

**NOT FOR RESALE**