



SUPREME

TEST EQUIPMENT BULLETIN



Our 24th Year

GREENWOOD, MISSISSIPPI, U. S. A.

March-April 1951

INSTRUMENT INCIDENTALS

When writing to the factory for information on repair service or replacement parts including technical data, BE SURE TO PROVIDE THE SERVICE ENGINEER with the MODEL and SERIAL number of your Supreme instrument. This helps him give you a prompt answer to your inquiry.

Keep your SUPREME Test Equipment in top operating condition by having its functions checked by a standardizing laboratory from time to time. If your Supreme equipment needs a thorough check-up, write the factory Service Engineer for shipping information. There may be an approved lab near your location.

Take good care of what you may own in the way of high quality testing equipment. New SUPREME test instruments are getting more difficult to deliver every month.

If you change your address or business name, don't forget to let the Service Engineer of Supreme know how to route your mail for prompt delivery. Undelivered mail is returned to Supreme by the post-office. When the new address is unknown, our mailing section removes your name from their active list until you advise them how to route your mail.

Accurate-Dependable

SUPREME

Testing Instruments

"SUPREME BY COMPARISON"



ADDITIONAL TUBE SETTINGS

The following data applies to Supreme tube testers with Model Numbers 589(), 599(), and 504A or B. If chart in your tester does not have the number 4965-511 printed directly below the word STOP, a new chart should be installed.

1AF4(15)	7	1	70	B	15
2E24(146)	2	3	30	C	147
5AX4	2	5	32	C	48
5AX4	2	5	32	C	68
6AN5(27)	3	6	15	A	247
6AT7	4	6	55	B	58
6B6G	2	6	29	C	4578
6B6G(Dio)	2	6	75	B	378
6BA7	4	6	20	C	35
6BD7	4	6	30	C	3578
6BD7(Dio)	4	6	85	B	135
6BQ7	4	6	58	B	35
6BQ7	4	6	58	B	58
7AB7(48)	2	6	30	C	478
7AD7	1	6	27	C	78
7AJ7	1	6	27	C	78
7AK7	1	6	27	C	78
12A4	3	8	55	B	145
12AU6	3	8	20	C	47
12AV6	3	8	30	C	245
12AV6(Dio)	3	8	85	B	247
12BA7	4	6	20	C	35
12SW7	7	8	38	C	3458
12SW7(Dio)	7	8	85	B	368
12SX7	7	8	23	C	68
12SX7	7	8	23	C	38
26A7	6	9	58	B	247
26A7	6	9	58	B	278
26C6	3	9	30	C	2456
26C6(Dio)	3	9	85	B	124
26D6	3	9	25	C	24

CORRECTED TUBE LISTINGS

1X2(146)	8	1	60	E	146
6SV7	7	6	35	C	258
6SV7(Dio)	7	6	85	B	238
50Y7	6	9	22	C	247
50Y7	6	9	22	C	278

TESTING PICTURE TUBES

From time to time the factory Service Engineer receives inquiries on an adapter for checking television picture tubes.

The adapter they have in mind is really an extension unit for connecting the duo-decal base on the picture tube to the octal socket on the tube tester. It does not provide a means of completely checking the picture tube. It does test the cathode emission, filament continuity and makes a limited leakage check. While these tests are important, they do not go far enough to pass or reject a tube with any degree of confidence.

At the present time, Supreme recommends the substitution method. Slow but sure, this procedure offers the least chance of error.

ADAPTERS NOT NEEDED ON LATE SERIES OF SUPREME TUBE TESTERS

Model 589A, 599A, and 504B Supreme Tube Testers now being shipped from the factory do not need adapters to test the new nine pin types.

ROLL CHARTS listing new tubes found in FM, AM, and TV sets are available for Supreme Models 589, 599, and 504-B as well as the 'A' series. State number on old chart installed in tester when ordering new chart. Price of new chart is \$1.17.

ADAPTERS for testing nine pin tubes in early series of above models are also available at \$1.50 each. Two adapters will handle most nine pin types with the exception of some special TV types infrequently encountered by most technicians.

SPECIAL LEAKAGE TEST

Due to thermionic emission, some tubes with dual cathodes such as the 6H6, 6F8, 25Z5, 6SN7, etc. may indicate a short when running the leakage test and still not be defective. If a tube of the above type shows leakage not otherwise accounted for, remove the tube from the tester and allow to cool. Then set the control(1-18) to position (18) and run the leakage test again. This will reduce the filament temperature and allow the leakage test to be made without thermionic emission obscuring same.

ADDITIONAL TUBE SETTINGS FOR TUBE TESTERS USING THE 9600-943 ROLL CHART

5AX4	32	C	2	6	48
5AX4	32	C	2	6	68
6AN5(27)	15	A	3	7	247
6B6G	29	C	2	7	4578
6B6G(Dio)	75	B	2	7	378
6BA7	20	C	4	7	35
6BD7	30	C	4	7	3578
6BD7(Dio)	85	B	4	7	135
7AB7(48)	30	C	2	7	478
7AD7	27	C	1	7	78
7AJ7	27	C	1	7	78
7AK7	27	C	1	7	78
12A4	55	B	3	7	145
12AU6	20	C	3	9	47
12AV6	30	C	3	9	245
12AV6(Dio)	85	B	3	9	247
12BA7	20	C	4	7	35
12SW7	38	C	7	9	3458
12SW7(Dio)	85	B	7	9	68
12SX7	23	C	7	9	38
12SX7	23	C	7	9	68
26A7	58	B	6	11	247
26A7	58	B	6	11	278
26C6	30	C	3	11	2456
26C6(Dio)	85	B	3	11	124
26D6	25	C	3	11	24

CORRECTED TUBE LISTINGS

1X2(146)	60	E	8	2	146
50Y7	22	C	6	11	247
50Y7	22	C	6	11	278



"SUPREME BY COMPARISON"
in every respect

Select your carrier frequency (IF or RF). Select the signal strength. Select the tone you want on the speaker. Select the percent of modulation. You are strictly in the "driver's seat" and on the right road to profits with this versatile signal generator.

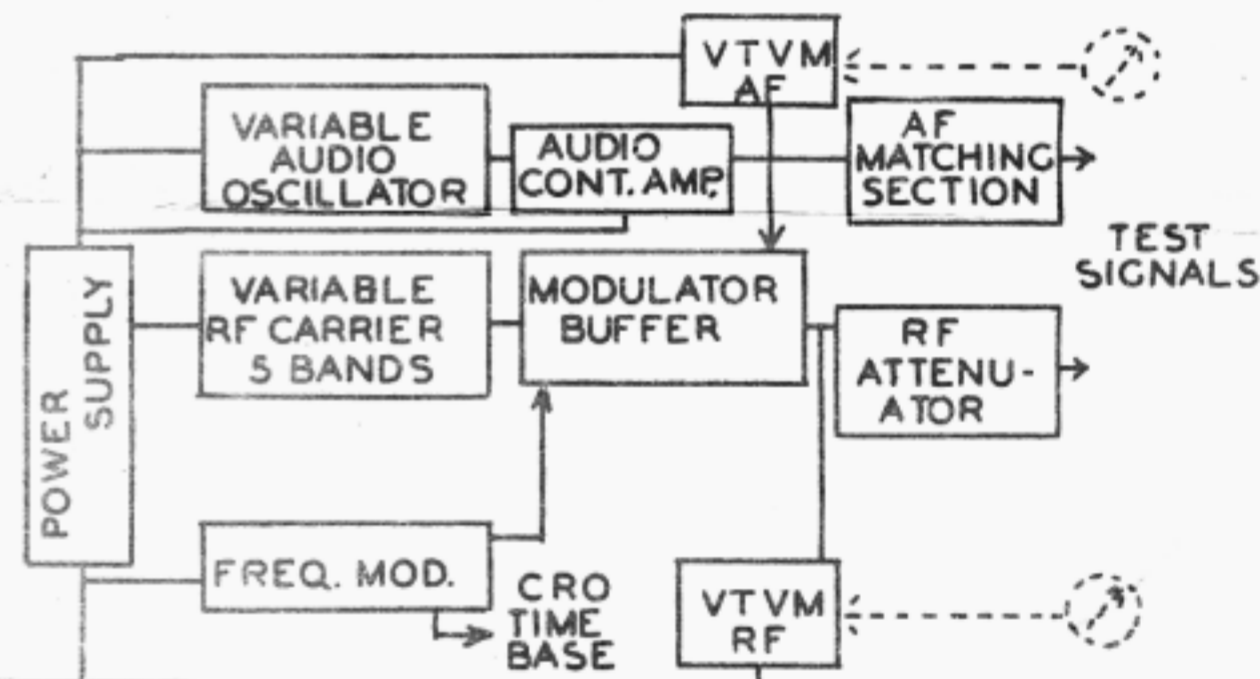
It's just like having a radio station right on your lab or service bench. Do not confuse this instrument with ordinary "AF & RF" oscillators. Use it as a separate variable audio generator and also as a variable RF (carrier modulated or unmodulated) generator. Outputs of AF & RF sections are metered.

SUPREME MODEL 666

A. F. OSCILLATOR for testing audio sections of AM, FM, and TV sets, PA systems, recorders, theatre sound, and other audio equipments. Ideal for locating causes of distortion in amplifiers and rattles in speakers at any audio frequency such as those produced by a drum beat in the low bass on up to a high pitched flute (15 cycles to 15,000 cycles). High fidelity multi-tapped transformer for matching generator output to popular input impedances. Output can be switched into RF section for choice of modulation tone at any audio frequency--not just 400 cycles. Metered output for reference level indication in checking response of AF Amplifiers.

R. F. OSCILLATOR for alignment of AM and FM sets with output meter or VTVM. Can also be used as TV marker. Frequency range from 65 Kc to 120 Mc (20.5 to 120 Mc on harmonics). High ratio tuning gear for smooth accurate frequency selection. Separate carrier level control for setting RF signal before attenuation. Efficient attenuator system for critical alignment jobs. Has built-in sweep oscillator for visual CRO alignment of AM receivers. Meter indicates carrier level and percent modulation.

Shipped complete with cabinet, instructions, cables, connectors, and full one year guarantee backed directly by the factory. Wgt 35 lb-15 $\frac{1}{2}$ x11 $\frac{1}{4}$ ".



This is your opportunity to own a signal generator valued at more than \$225.00 for an investment of less than \$150.00, a savings of many dollars!! Your cost only \$141.60*** factory pays transportation to anywhere in U.S. when this amount is sent with order.

SPECIAL TRADE-IN OFFER—For a limited time, Supreme gives you a chance to trade your old test equipment (regardless of type or age) in on one of these fine signal generators.

For immediate Delivery
ORDER YOURS TODAY!

SUPREME

INCORPORATED
GREENWOOD, MISSISSIPPI
U. S. A.

REDER DRUG CO
BLUE RAPIDS KAN

Sec. 34.66, P. L. & R.
U. S. POSTAGE
Paid
Greenwood, Miss.
Permit No. 81

311121



Publication Digitized and Provided By

www.StevenJohnson.com

Vintage Schematics, and Publications

Steve's Antique Technology