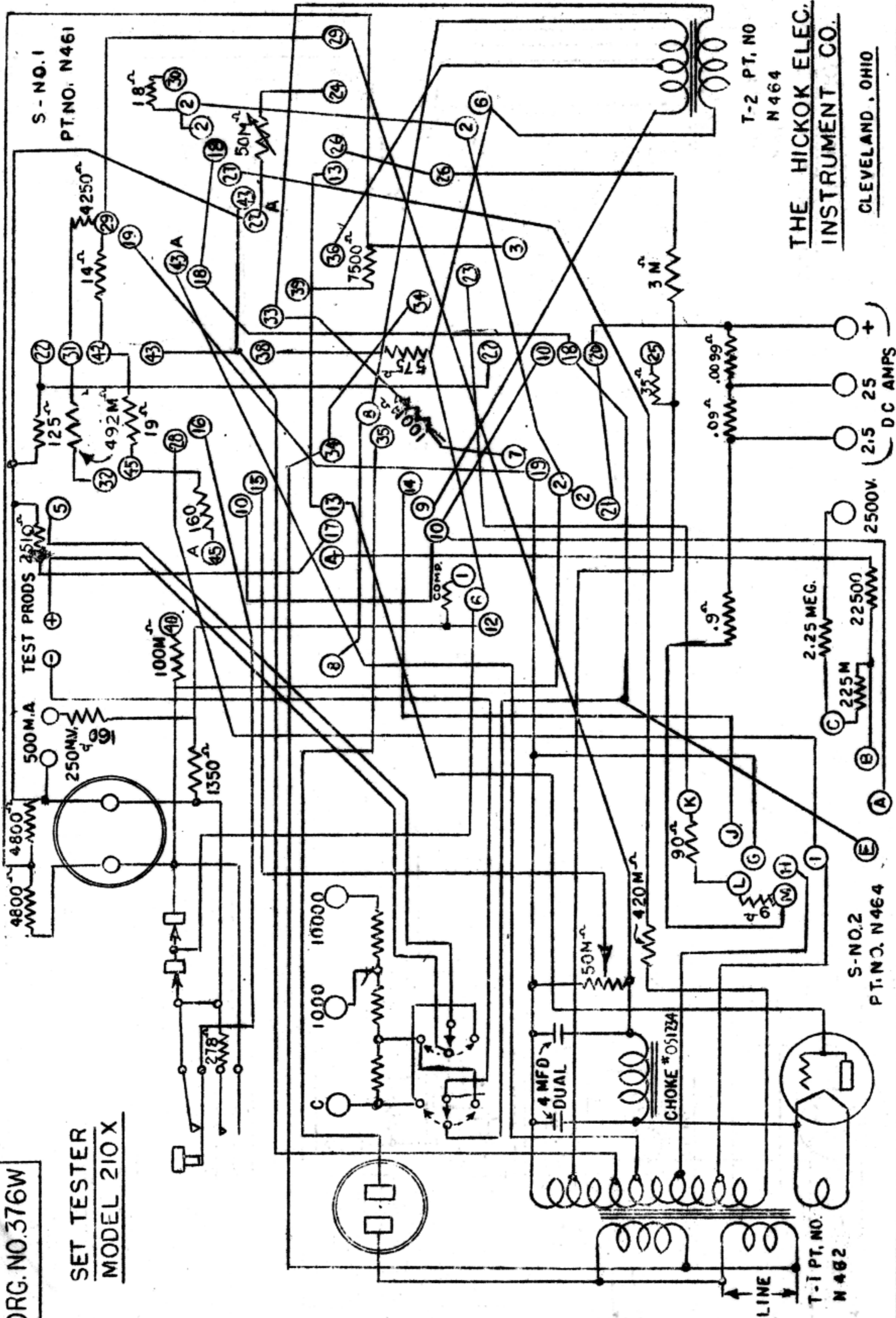


DRG. NO. 376W

SET TESTER
MODEL 210 X

S - NO. 1
PT. NO. N 461



S - NO. 2
PT. NO. N 464

T-1 PT. NO.
N 462

T-2 PT. NO.
N 464

THE HICKOK ELEC.
INSTRUMENT CO.
CLEVELAND, OHIO

This Document Provided Free

At

www.StevenJohnson.com

NOT FOR RESALE