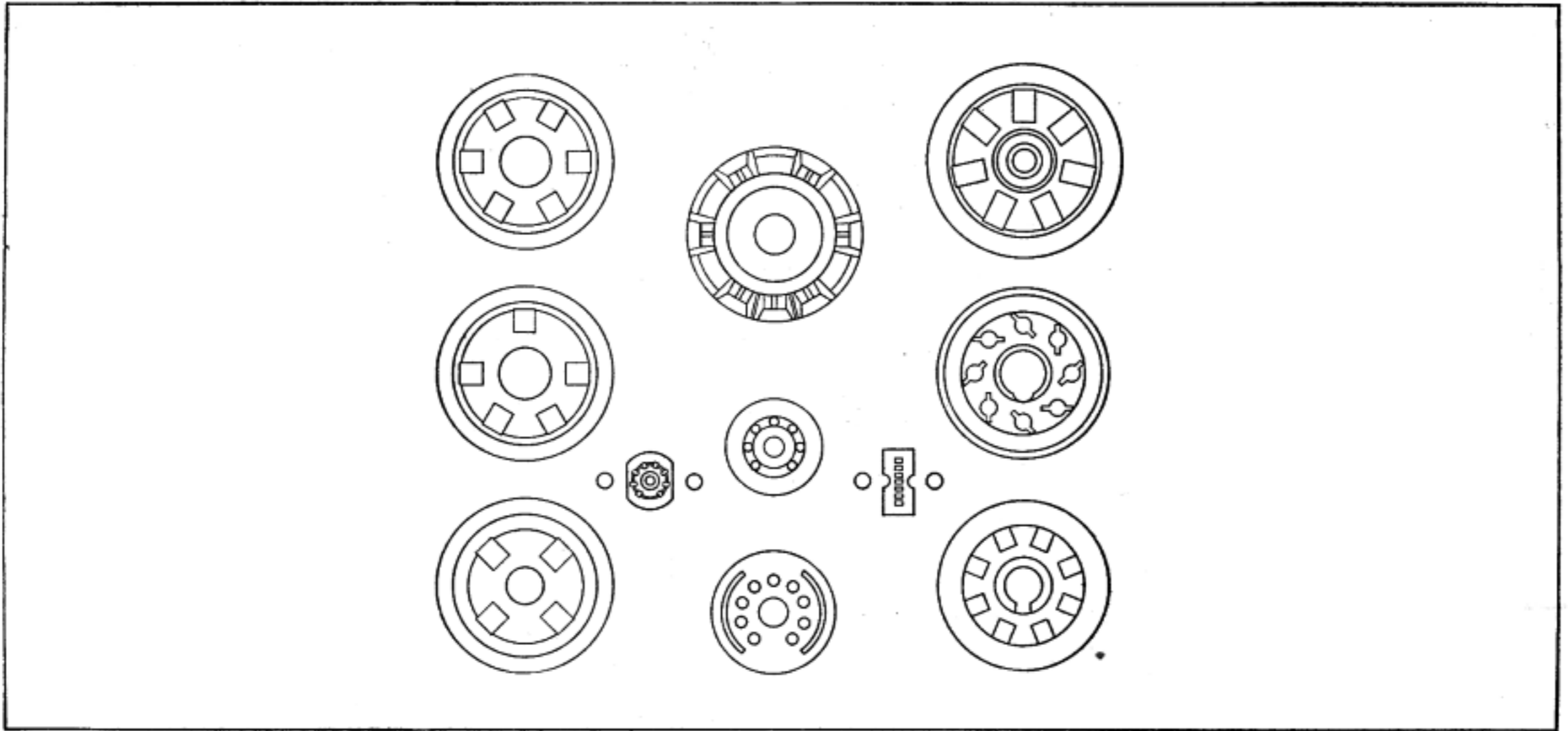


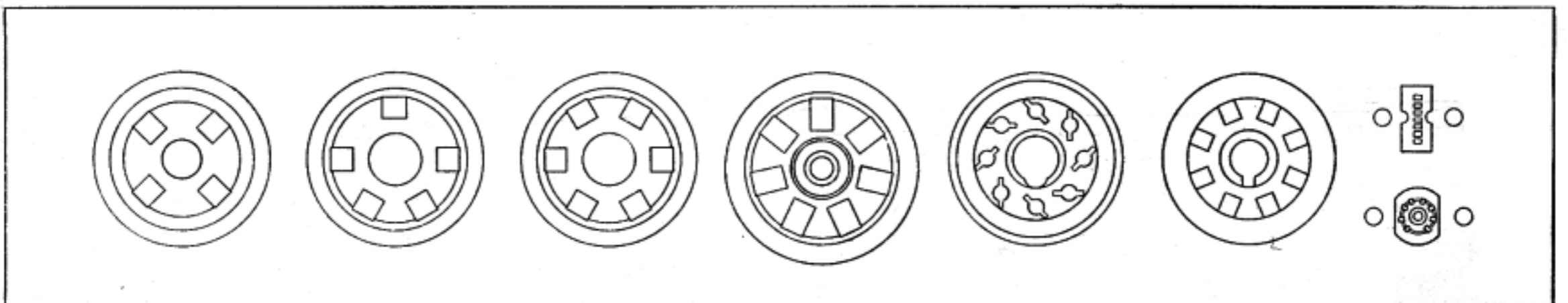
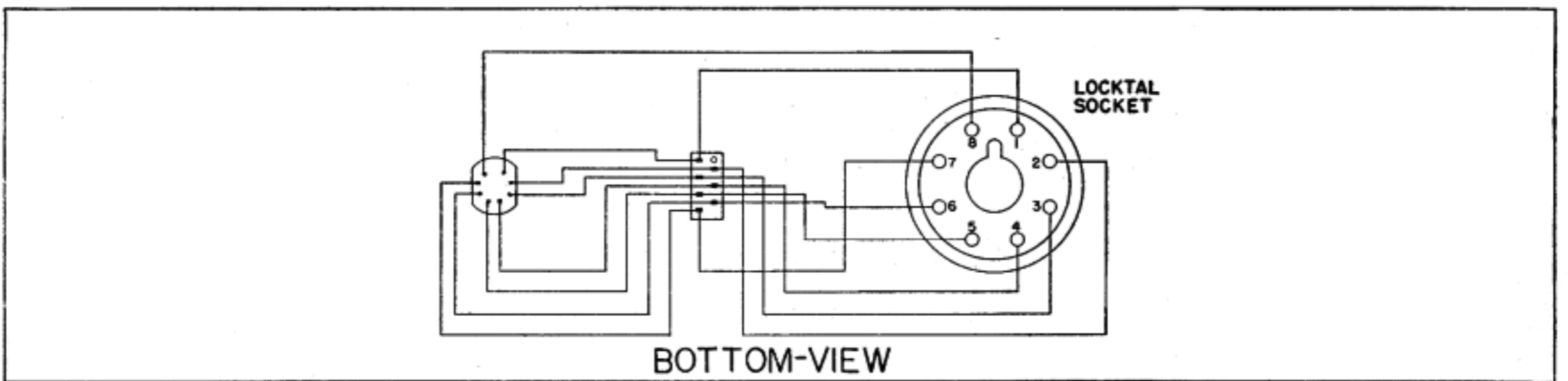


# SUGGESTED LOCATIONS FOR SUB MINIATURE SOCKETS ON TUBE TESTERS

FRONT VIEW OF HICKOK 532-533-534-534A & B-536 & 538  
TUBE TESTER SHOWING POSITIONS OF NEW SOCKETS



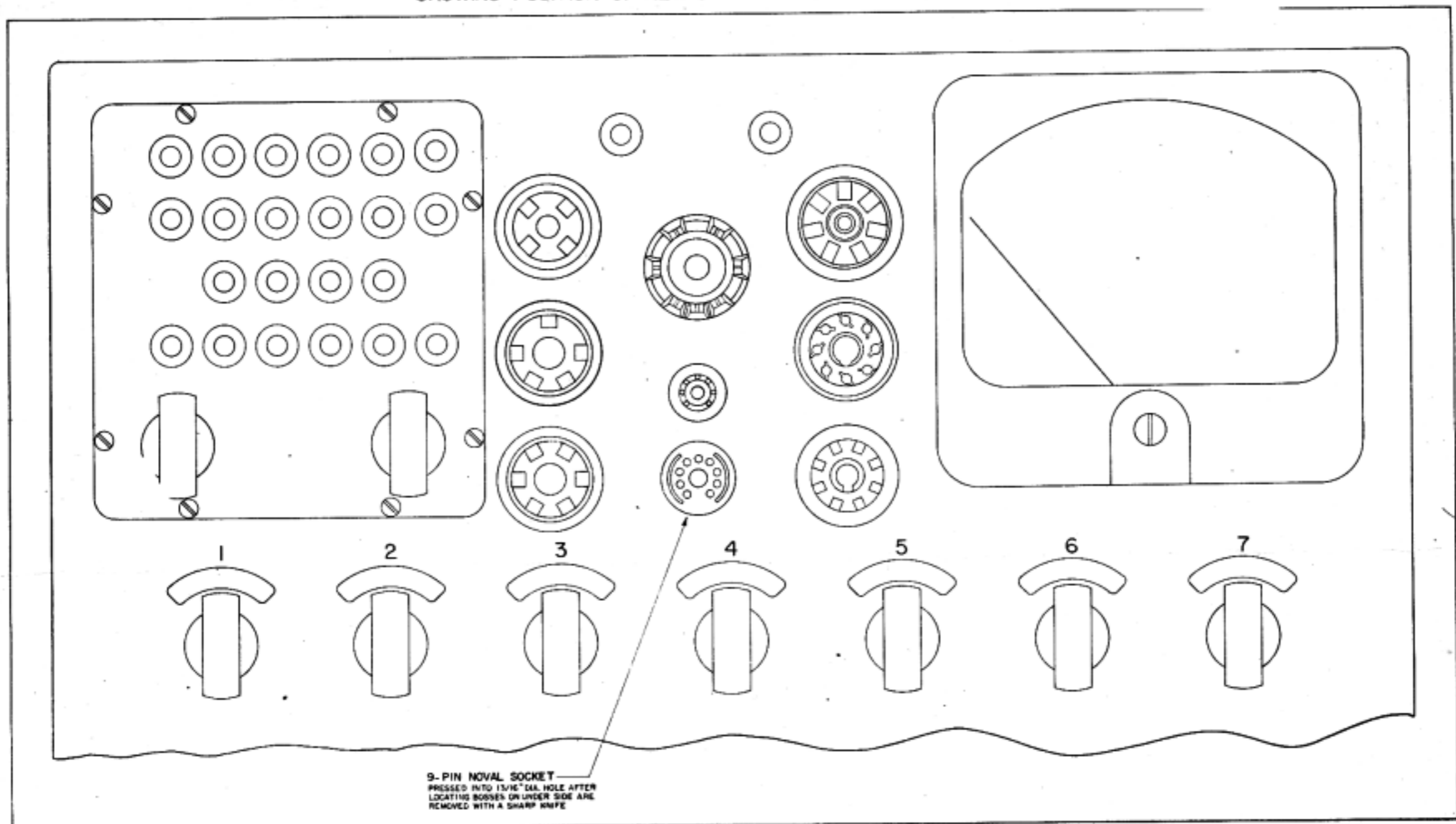
WIRING DIAGRAM FOR INSTALLATION OF SUB MINIATURE SOCKETS  
FOR TUBE TESTERS 532-533-534-534A & B-536-538 & 600



FRONT VIEW OF HICKOK 600 TUBE TESTER

# 9 PIN SOCKET NOW AVAILABLE AT YOUR DISTRIBUTOR.

FRONT VIEW OF HICKOK 532P-532C-534 & 538 TUBE TESTER  
SHOWING POSITION OF NEW 9-PIN NOVAL SOCKET



Socket Specified and Recommended is  
American Phenolic Co. No. 59-309.

FIGURE 1

DIAGRAM OF 9 PIN (NOVAL) SOCKET CONNECTIONS  
FOR TUBE TESTERS 532P-532C-534-538

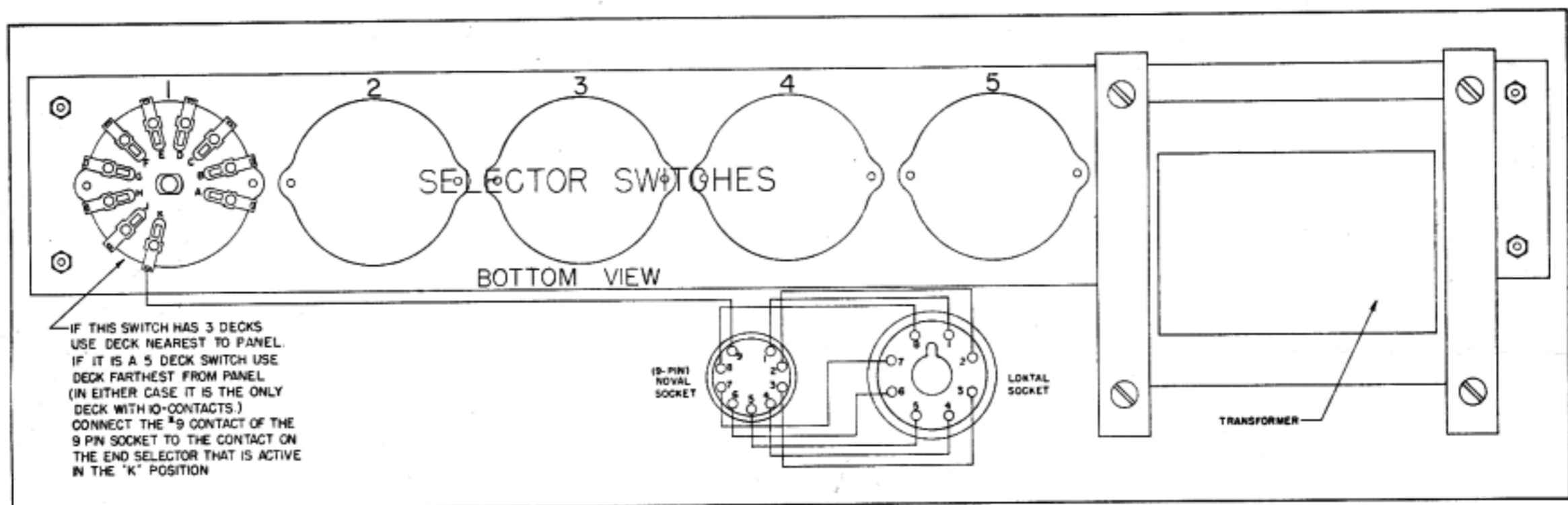


FIGURE 2

## INSTRUCTIONS

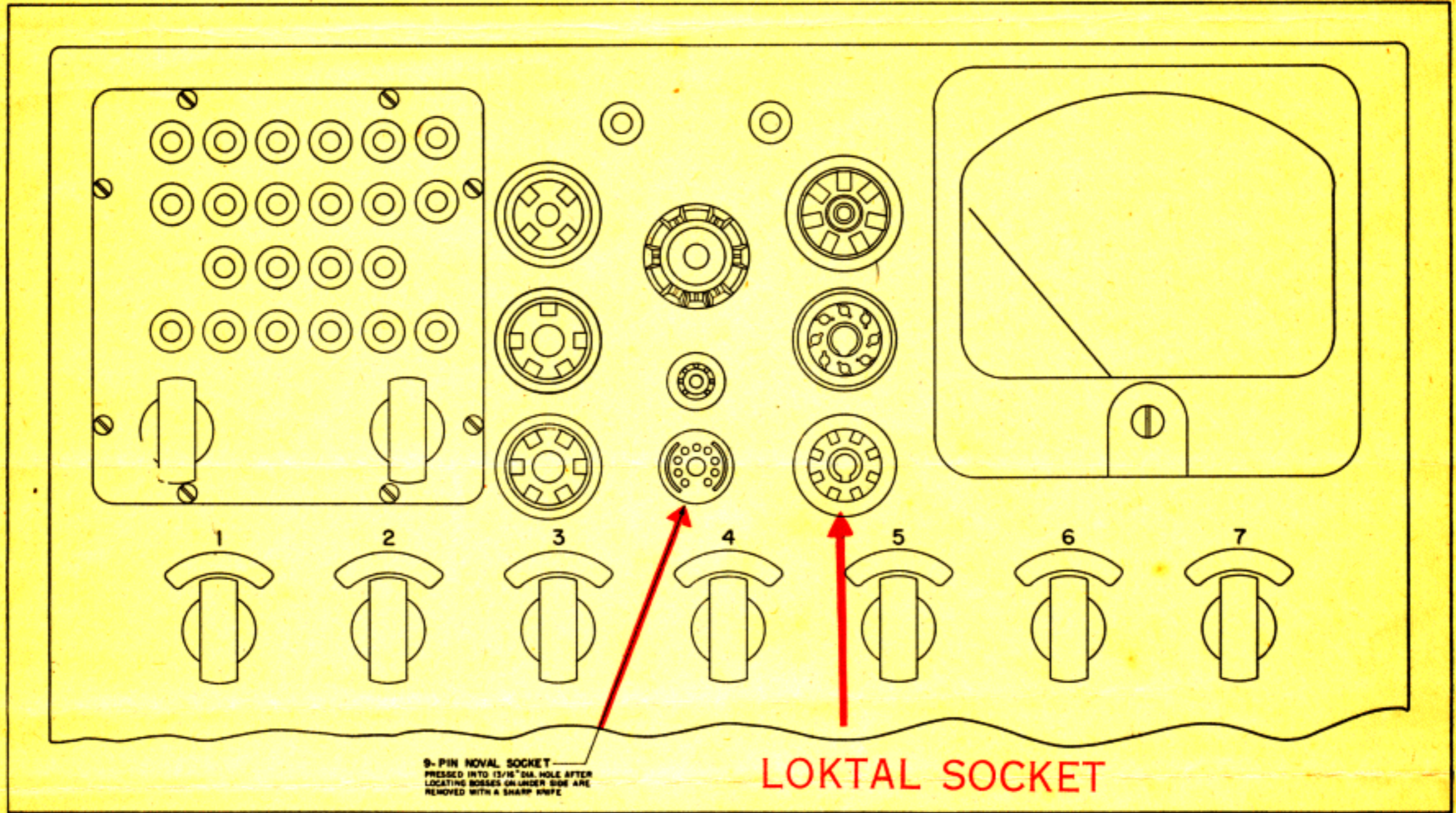
FOR ADDING THE NEW 9 PIN (NOVAL) SOCKET TO ANY HICKOK 532P, 532C,  
534 OR 538 TUBE TESTERS.

1. CUT A  $1\frac{3}{16}$ " HOLE IN THE PANEL AT THE POINT SHOWN ON THE SKETCH IN FIGURE 1.
2. CUT BOSSES OFF SOCKET OR FILE NOTCHES IN PANEL.
3. INSTALL THE SOCKET. PART No. 19350-55 IN POSITION (SOCKET WILL FIT INTO PLACE BY APPLYING PRESSURE.)
4. WIRE THE SOCKET AS SHOWN IN FIGURE 2.

(Alternate Information from previous page)

## 9 PIN SOCKET NOW AVAILABLE AT YOUR DISTRIBUTOR.

FRONT VIEW OF HICKOK 532P-532C-534 & 538 TUBE TESTER  
SHOWING POSITION OF NEW 9-PIN NOVAL SOCKET



Socket Specified and Recommended is  
American Phenolic Co. No. 59-309.

FIGURE 1

DIAGRAM OF 9 PIN (NOVAL) SOCKET CONNECTIONS  
FOR TUBE TESTERS 532P-532C-534-538

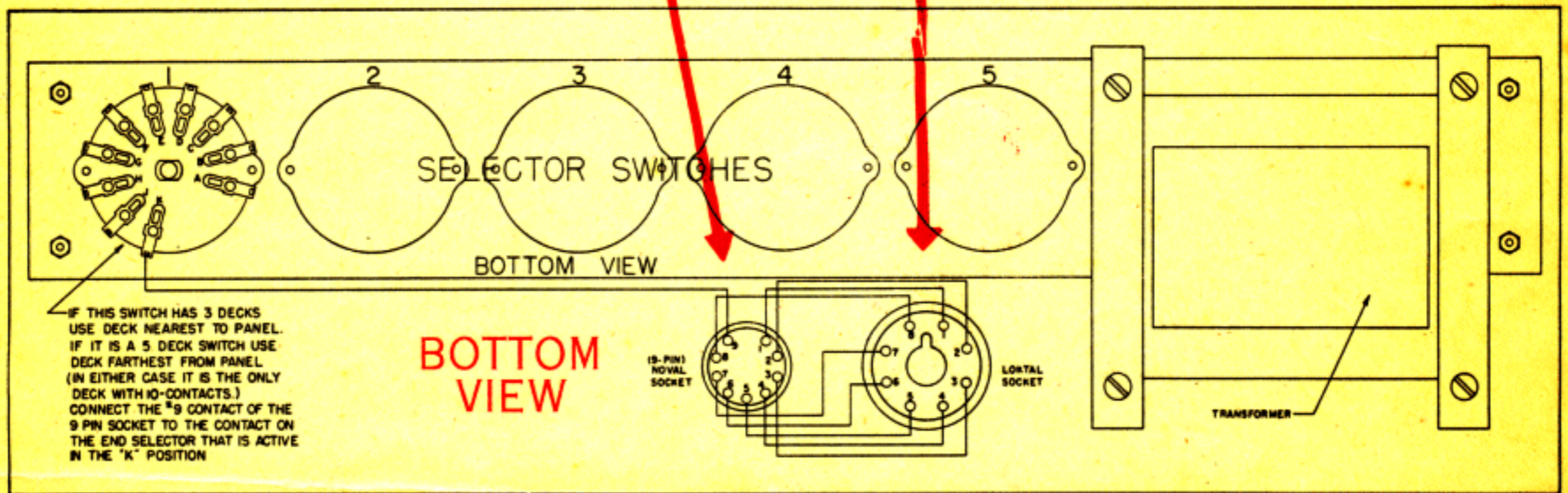


FIGURE 2

## INSTRUCTIONS

FOR ADDING THE NEW 9 PIN (NOVAL) SOCKET TO ANY HICKOK 532P, 532C,  
534 OR 538 TUBE TESTERS.

**This Document Provided Free**

**At**

**[www.StevenJohnson.com](http://www.StevenJohnson.com)**

**NOT FOR RESALE**