

PARTS LIST FOR MODEL 533A TUBE TESTER

NOTE: There is a minimum billing charge of \$1.50 for any one parts order.

HICKOK CODE NO.	NAME AND DESCRIPTION	REF. SYMBOL OR FUNCTION
2490-192	BOOKLET: Instruction	
2920-7	BUTTON, Push: black	
2920-8	BUTTON, Push: red	
3085-45	CAPACITOR: 50 mfd, 6 volts, Sprague type "DEE"	C4
3095-8	CAPACITOR: 470 mmf, 500 V, 10%, mica	C2
3095-41	CAPACITOR: .0027 mfd, 500V, 10%, mica	C3
3105-24	CAPACITOR: .1 mfd, 400 V, paper	C1
3200-47	CHART: Data Roll	
4160-66	DIAL, Ass'y: with knob	ENGLISH BIAS
4160-67	DIAL, Ass'y: with knob	
10300-1	JACK: red, Eby #52	
10300-2	JACK: black, Eby #52	
11500-11	KNOB, Ass'y: Hickok bar knob with pointer	
12270-1	LAMP: neon glow, 1/4 W, 115 V.	
12270-2	LAMP: auto, Tung-Sol #81, bayonet type	
12270-12	LAMP: #47 G.E., 6-8 V, .15 amp, miniature bayonet base.	FUSE LAMP
12270-17	LAMP: #49 Pilot, .06 amp., 2 volts	
12450-180	LEAD, Ass'y: Grid cap pinned at one end, Amphenol #63-1W	
12450-145	LEAD, Ass'y: 48" long	
660-005	METER: Model 66, 0-500 μ a, 230 ohms, black flush square, internal pivot.	
16925-90	POTENTIOMETER: 150-150 ohms, dual, linear, wire wound, Mallory #MM150P	R4, R5
16927-3	POTENTIOMETER: Ass'y, 3000 ohms	BIAS, R7
18410-472	RESISTOR: 47 ohms, 1/2 W, 10%, fixed, composition	R21, R22, R23
18413-271	RESISTOR: 27,000 ohms, 1/2 W, 5%, fixed, comp.	R26
18413-471	RESISTOR: 47,000 ohms, 1/2 W, 5%, fixed, comp.	R11
18414-182	RESISTOR: 180,000 ohms, 1/2 W, 10%, fixed, comp.	R8
18414-332	RESISTOR: 330,000 ohms, 1/2 W, 10%, fixed, comp.	R10
18415-102	RESISTOR: 1 meg, 1/2 W, 10%, fixed, composition	R27
18422-122	RESISTOR: 1200 ohms, 1 W, 10%, fixed, composition	R2
18423-151	RESISTOR: 15,000 ohms, 1 W, 5%, fixed, composition	R3
18525-328	RESISTOR: 215,000 ohms, 1%, Continental Carbon Type X-1/2	R24
18525-427	RESISTOR: 500 ohms, 1/2 W, 1%	R29, R30
18575-12	RESISTOR: 1800 ohms, 10 W, 10%, fixed, vitreous enamel	R1
18575-19	RESISTOR: 100 ohms, 10%, vitreous enamel, centertapped	R12, R13
18575-89	RESISTOR: 8500 ohms, 10 W, 10%, vitreous enamel, wire wound	R6
18670-105	RESISTOR, Spool: small, 10 ohms	R9
18670-118	RESISTOR, Spool: small, 135 ohms	R28
18670-412	RESISTOR, Spool: medium, 41 ohms	R15, R17
18670-417	RESISTOR, Spool: medium, 109 ohms	R16, R18
18670-418	RESISTOR, Spool: medium, 150 ohms	R14
18679-114	RESISTOR, Spool: double, 122 and 32 ohms	R19, R20
18750-2	RHEOSTAT: 200 ohms, 25 W, Ohmite #2878-3SC	R25
19350-1	SOCKET: Small bayonet, Drake #614 1-CH-LT	
19350-2	SOCKET: Candelabra, Drake #414-CH-14L-LT	
19350-43	SOCKET: Acorn, 7-contact, Alden #457 V1M	
19350-62	SOCKET: 9-pin, black, Cinch	
19350-76	SOCKET: 7-pin miniature, Amphenol #147-170-24	
19350-78	SOCKET: 4-pin, black phenolic, Amphenol #77-M1P-4	
19350-93	SOCKET: 4-pin, Amphenol #78S-4	
19350-94	SOCKET: 5-pin, Amphenol #78S-5	
19350-95	SOCKET: 6-pin, Amphenol #78S-6	
19350-96	SOCKET: 7-pin, Amphenol #78-7CD	

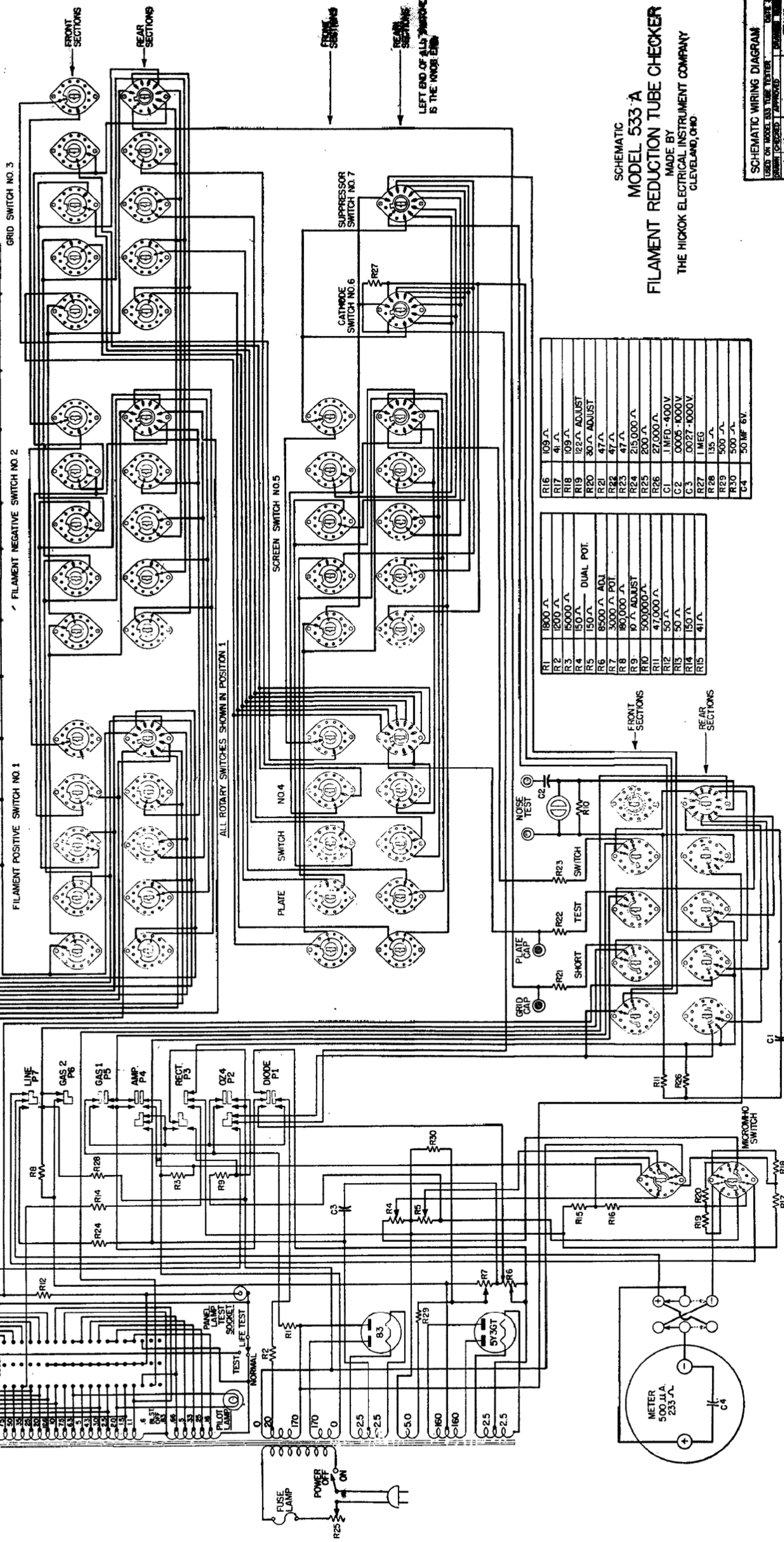
PARTS LIST FOR MODEL 533A TUBE TESTER

NOTE: There is a minimum billing charge of \$1.50 for any one parts order.

HICKOK CODE NO.	NAME AND DESCRIPTION	REF. SYMBOL OR FUNCTION
19350-97	SOCKET: 8-pin loktal, Amphenol #78-8L	
19350-99	SOCKET: 8-pin octal, Amphenol #78-S8	
19350-101	SOCKET: Sub-miniature, Cinch #EXP-8694	
19350-112	SOCKET; Ass'y: Panel light, Drake #40	PILOT
19350-119	SOCKET: Sub-miniature, 7-contact, Cinch #EXP-8736-B1	IN-LINE
19910-54	SWITCH: Push button, 7-gang, Oak #43927-130	P1 - P7
19911-7	SWITCH: Snap, DPDT, Oak #16743-78	METER REVERSING
19911-9	SWITCH: Toggle, SPST, A.H. & H. #20994-DA, with bat handle	OFF-ON
19911-19	SWITCH: Toggle, SPDT, A.H. & H. #21350	LIFE TEST
19912-181	SWITCH: Rotary, 1 section, 4 position, flatted shaft, Oak Type F	MICROMHO
19912-198	SWITCH: Rotary, 2 section, 3 pole, 20 position, nonshorting, Oak Type F	FILAMENT
19912-203	SWITCH: Rotary, 5 section, 6 position, Oak Type F	SHORT TEST
19912-204	SWITCH: Rotary, 5 section, 10 position, nonshorting, Oak Type F	SELECTORS
19912-205	SWITCH: Rotary, 1 section, 10 position Oak Type F	CATHODE-SUPPRESSOR
20800-74	TRANSFORMER: Power, Trans. Eng. #TR-4180	
20875-6	TUBE: 5Y3GT/G	RECTIFIER
20875-28	TUBE: 83	RECTIFIER

In ordering parts or material for this instrument, the serial number must be given in order to identify properly the material required.

IN LINE
SUB. MIN.
NOVAL
ACORN
MIN.
LOCTAL
OCTAL

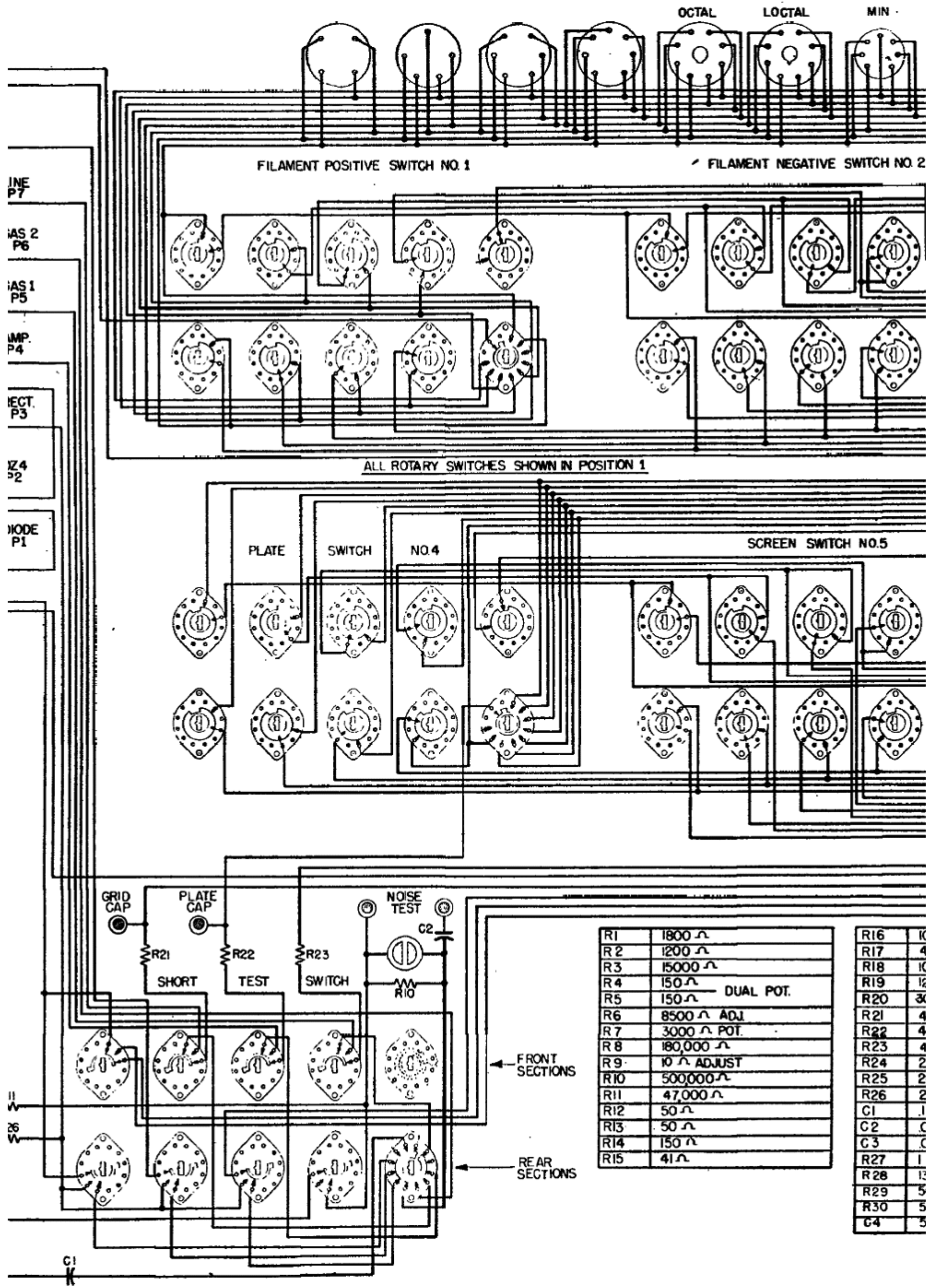


R16	109 Ω
R17	41 Ω
R18	109 Ω
R19	122 Ω ADJUST
R20	30 Ω ADJUST
R21	47 Ω
R22	47 Ω
R23	47 Ω
R24	215,000 Ω
R25	200 Ω
R26	27,000 Ω
C1	.1 MFD.-400V
C2	.0005-.000V
C3	.0027-1000V
R27	1 MEG
R28	15 Ω
R29	500 Ω
R30	500 Ω
C4	50 MF 6V.

R1	1800 Ω
R2	1200 Ω
R3	15000 Ω
R4	150 Ω
R5	150 Ω
R6	8500 Ω ADJ.
R7	3000 Ω POT.
R8	180,000 Ω
R9	10 Ω ADJUST
R10	500,000 Ω
R11	47,000 Ω
R12	50 Ω
R13	50 Ω
R14	150 Ω
R15	41 Ω

SCHMATIC
MODEL 533 A
FILAMENT REDUCTION TUBE CHECKER
MADE BY
THE HICKOK ELECTRICAL INSTRUMENT COMPANY
CLEVELAND, OHIO.

SCHEMATIC WIRING DIAGRAM
USED ON MODEL 533 TUBE TESTER
DATE 11-22-52
DRAWN CHECKED APPROVED
HJK HGM TBAW



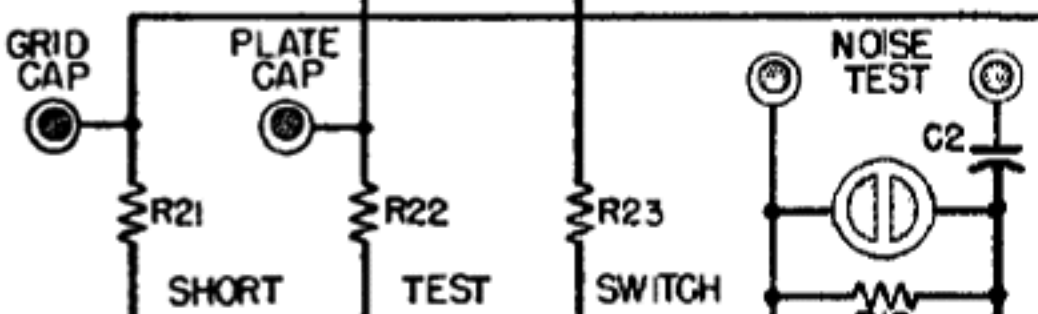
FILAMENT POSITIVE SWITCH NO. 1

FILAMENT NEGATIVE SWITCH NO. 2

ALL ROTARY SWITCHES SHOWN IN POSITION 1

PLATE SWITCH NO. 4

SCREEN SWITCH NO. 5



R1	1800 Ω
R2	1200 Ω
R3	15000 Ω
R4	150 Ω
R5	150 Ω DUAL POT.
R6	8500 Ω ADJ.
R7	3000 Ω POT.
R8	180,000 Ω
R9	10 Ω ADJUST
R10	500,000 Ω
R11	47,000 Ω
R12	50 Ω
R13	50 Ω
R14	150 Ω
R15	41 Ω

R16	100 Ω
R17	4 Ω
R18	100 Ω
R19	1/2 Ω
R20	3 Ω
R21	4 Ω
R22	4 Ω
R23	4 Ω
R24	2 Ω
R25	2 Ω
R26	2 Ω
C1	1 μF
C2	0.01 μF
C3	0.01 μF
R27	1 Ω
R28	1/2 Ω
R29	5 Ω
R30	5 Ω
C4	5 μF

FRONT SECTIONS

REAR SECTIONS



**Publication Digitized and Provided By
Steve's Antique Technology
Vintage Schematics and Publications
www.StevenJohnson.com**

Digital File Copyright © 2026 StevenJohnson.com

This File Provided Free At StevenJohnson.com - Not For Resale In Any Form