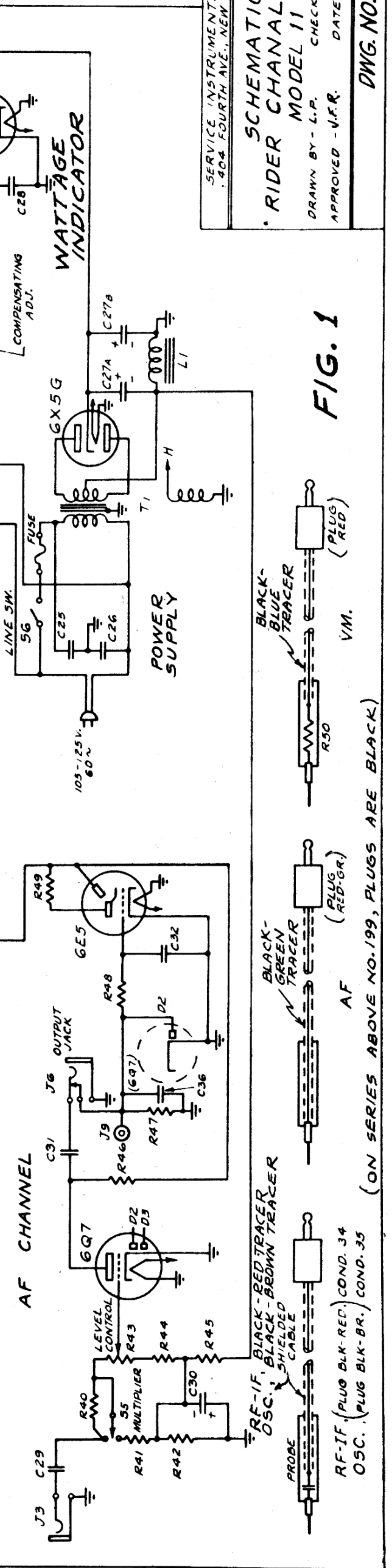
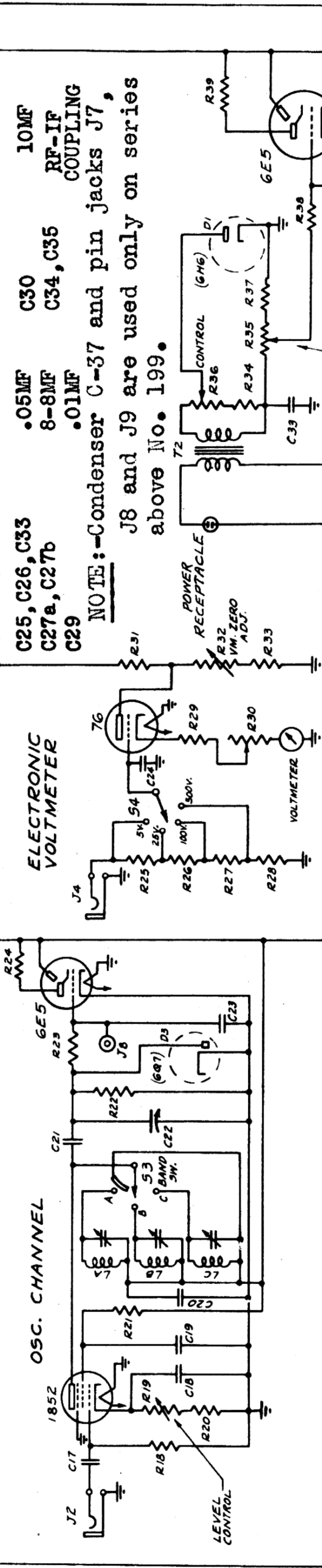
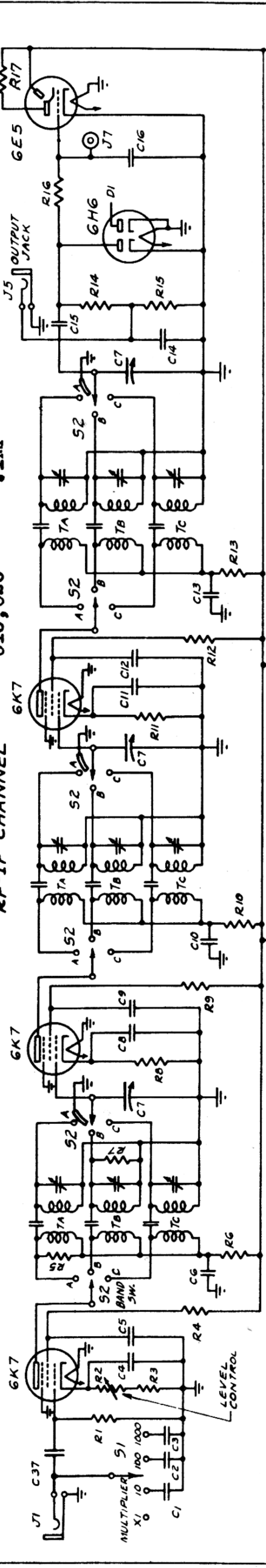


CHANGES

SYMBOL	DESCRIPTION	R17, R24, R39, R48, R49, 1 MEGOHM	R32	10000 OHMS	R41, R44	20000 OHMS
R1, R45, R46	250M OHMS	R50	R34	1900 OHMS	R42, R21	75M OHMS
R2	9000 OHMS	R19	R35	500M OHMS	R43	2 MEGOHMS
R3, R8, R11	350 OHMS	R20	R36	17000 OHMS		
R4, R7, R9, R12, R18	100M OHMS	R25				
R5	4000 OHMS	R26				
R6, R10, R13	1500 OHMS	R27				
R14, R15, R22, R37	500M OHMS	R28				
R16, R23, R38, R40, R47	2 MEGOHMS	R29, R33				
		R30				
		R31				



SERVICE INSTRUMENTS, INC.
 404 FOURTH AVE., NEW YORK, N.Y.

SCHEMATIC
 RIDER CHANNELYST
 MODEL 11

DRAWN BY - L.P. CHECKED BY - J.A.
 APPROVED - J.F.R. DATE 10/11/38

FIG. 1

DWG. NO. 11-B-17