

COMMERCIAL OSCILLOSCOPES AND RELATED EQUIPMENT

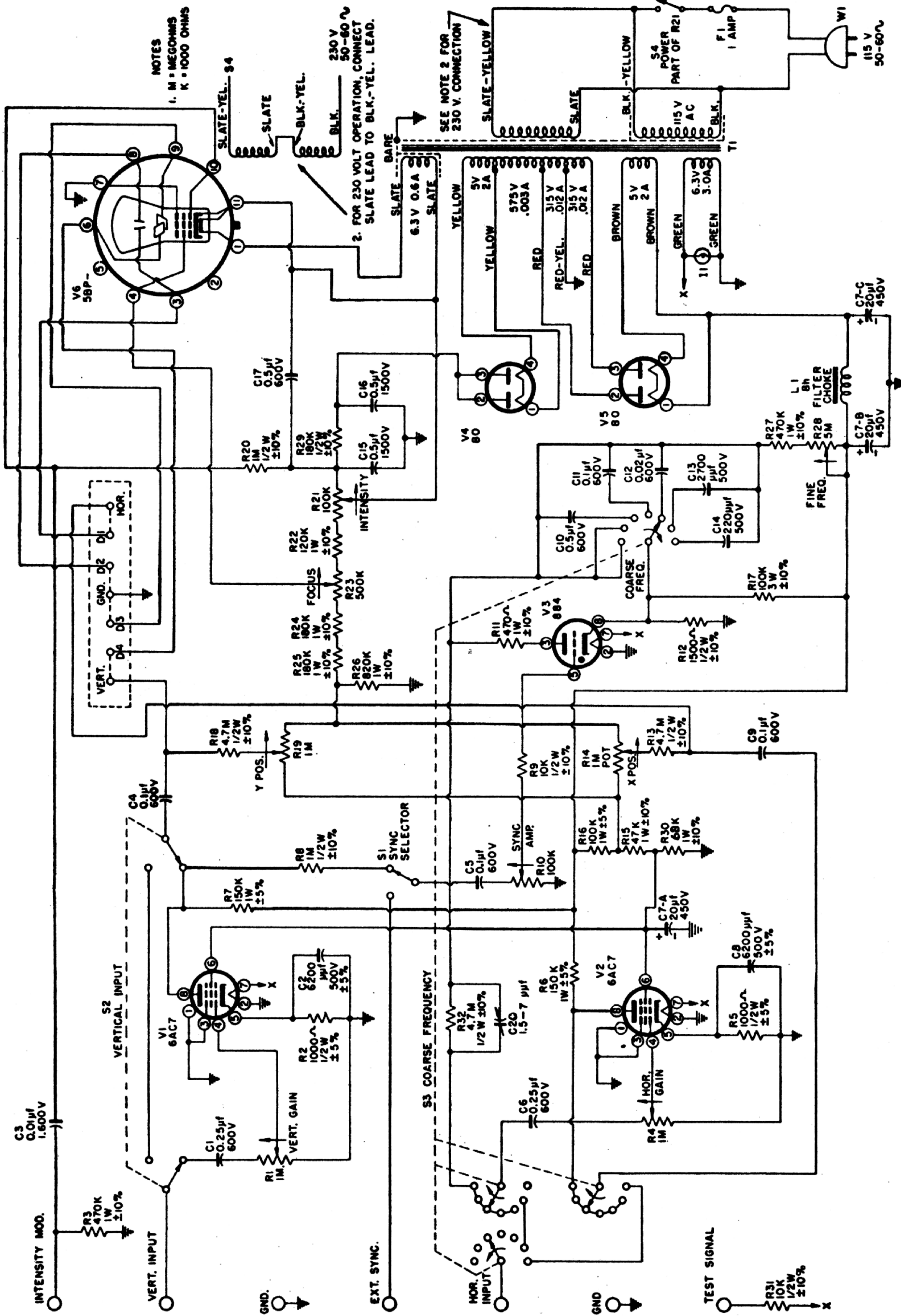


Fig. 22-16.—Schematic of Du Mont Model 274-A.

Courtesy Du Mont Labs.

DU MONT MODEL 274-A

FREQUENCY RESPONSE

Vertical Amplifier 20 cps to 200 kc  
 Horizontal Amplifier 40 cps to 200 kc  
 Sweep Circuit 8 cps to 30 kc

DEFLECTION FACTORS

Vertical Amplifier 0.2 rms volts/inch (max)  
 Vertical-Deflection Plates 16 rms volts/inch  
 Horizontal Amplifier 0.25 rms volts/inch  
 Horizontal-Deflection Plates 18 rms volts/inch

LINE RATING 115-230 volts, 50-60 cps

TUBE COMPLEMENT

Type	Function
6AC7 (V1)	Vertical Amplifier
6AC7 (V2)	Horizontal Amplifier
884 (V3)	Time-Base Generator
80 (V4)	High-Voltage Rectifier
80 (V5)	Low-Voltage Rectifier
5BP (V6)	Cathode-Ray Tube

The Model 274-A is similar to Model 274. However, its frequency response range is greater and gain higher. The tube line-up has also been modernized. A schematic circuit diagram of this conventional unit is shown in Fig. 22-16.