

ENCYCLOPEDIA ON CATHODE-RAY OSCILLOSCOPES AND THEIR USES

ELECTRONIC INSTRUMENT CO. (EICO) MODEL 425

FREQUENCY RESPONSE

Vertical Amplifier 5 cps to 400 kc
 Horizontal Amplifier 5 cps to 400 kc
 Time-Base Generator 15 cps to 75 kc

DEFLECTION FACTORS

Vertical Amplifier 0.05 rms volts/inch
 Horizontal Amplifier 0.05 rms volts/inch

LINE RATING 100-130 volts, 50-60 cps

TUBE COMPLEMENT

Type	Function
6J5 (V1)	Vertical-Amplifier Input
6SN7 (V2)	Vertical-Deflection Amplifier
5Y3 (V3)	High-Voltage Rectifier
5Y3 (V4)	Low-Voltage Rectifier
6SN7 (V5)	Horizontal-Deflection Amplifier
6J5 (V6)	Horizontal-Amplifier Input
6SN7 (V7)	Time-Base Generator
5BP1 (V8)	Cathode-Ray Tube

The schematic circuit diagram of Model 425 is shown in Fig. 22-23.

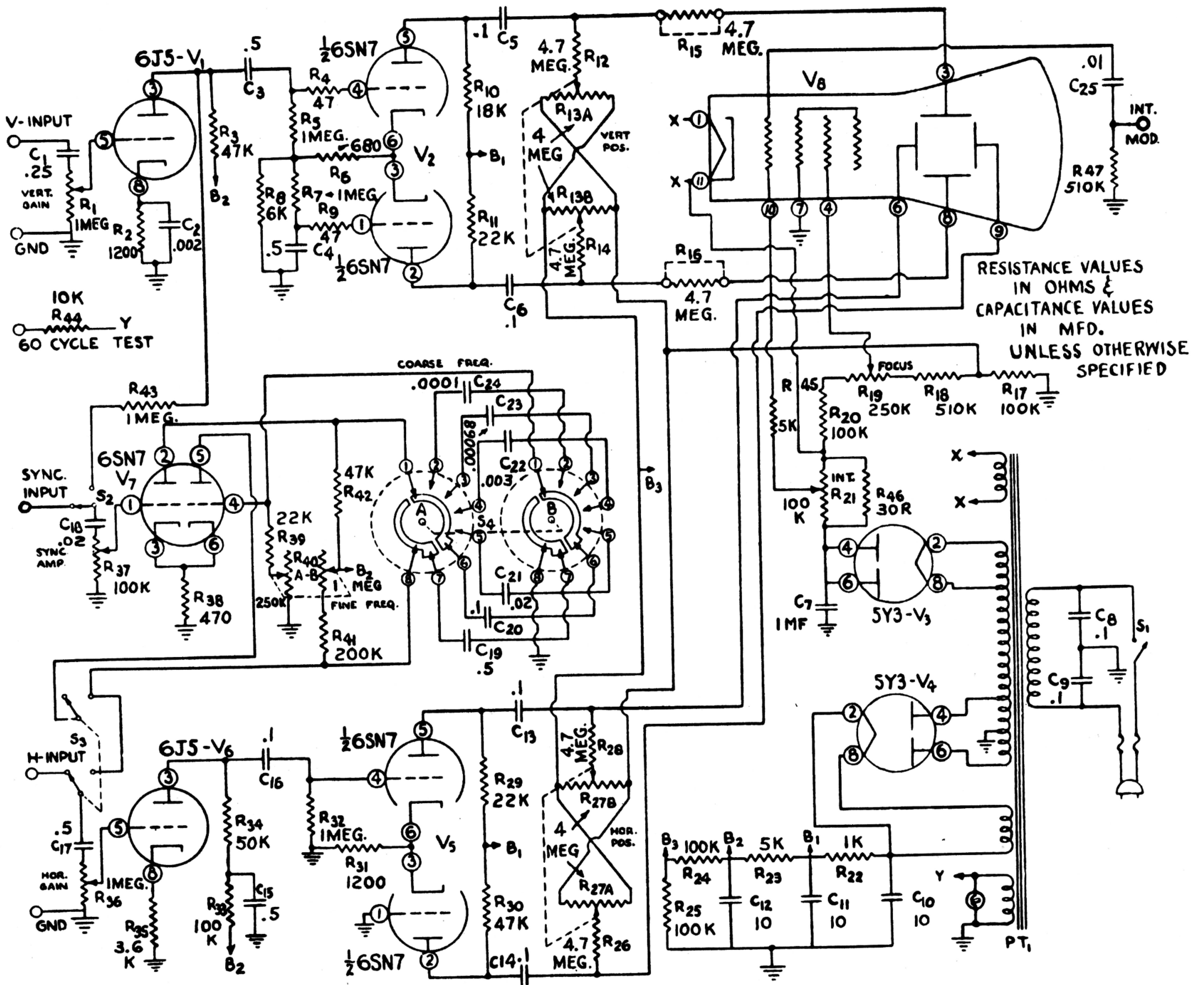


Fig. 22-23.—Schematic of Eico 425.

Courtesy Electronic Inst. Corp.