

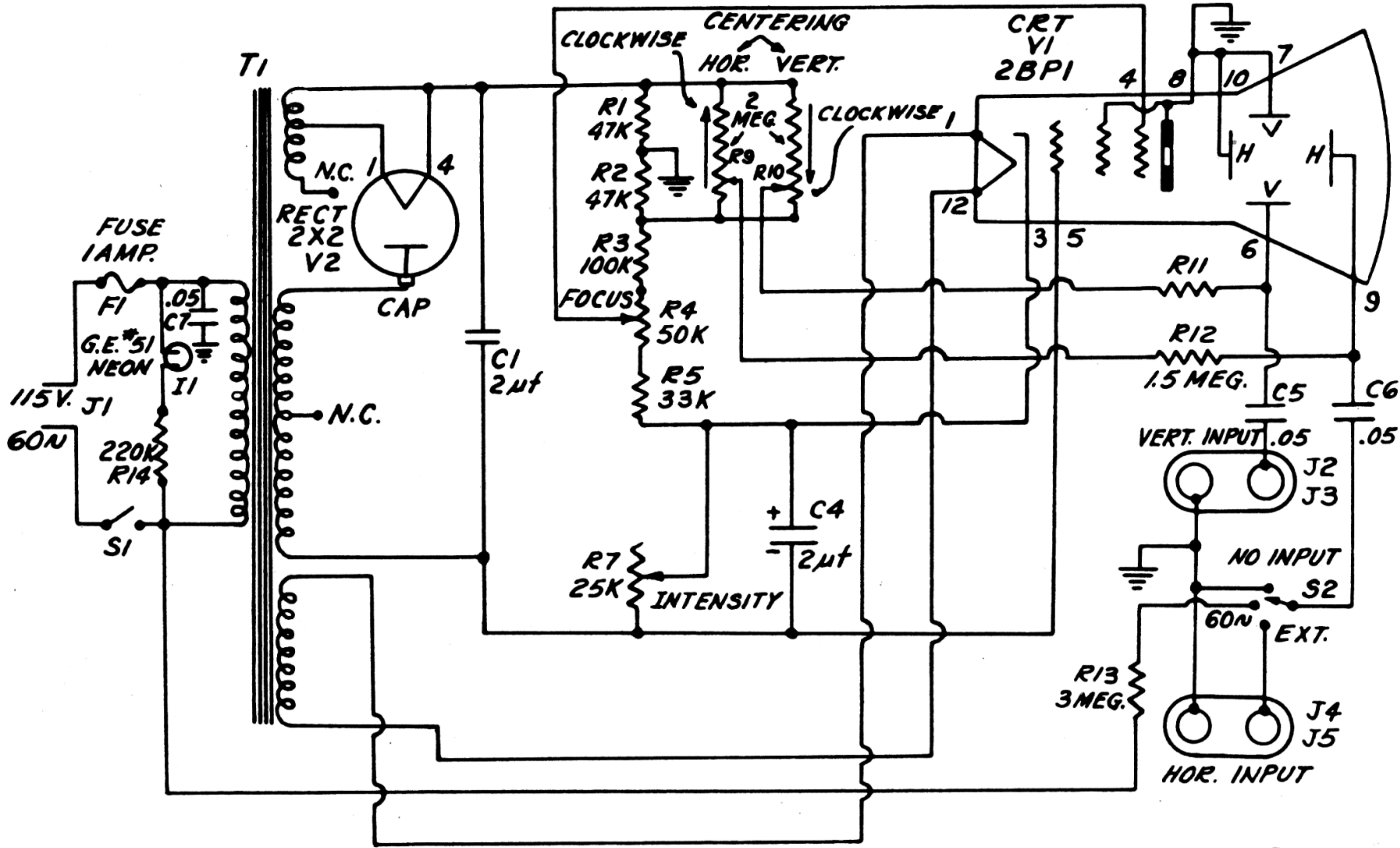
ENCYCLOPEDIA ON CATHODE-RAY OSCILLOSCOPES AND THEIR USES

MILLEN MODEL 90902

DEFLECTION FACTORS

Vertical-Deflection Plates D.c., 100 volts/inch
 Horizontal-Deflection Plates D.c., 120 volts/inch
 LINE RATING 105-125 volts, 60 cps

The schematic circuit diagram of this basic oscilloscope unit, Model 90902, is shown in Fig 22-38. The unit does not include the usual sweep oscillator, vertical and horizontal amplifiers, and must be used in conjunction with a separate sweep oscillator and deflection amplifier system.



ALL (C) VALUES IN MMFD
 UNLESS OTHERWISE SPECIFIED.

Fig. 22-38.—Schematic of Millen Model 90902.

Courtesy Millen Mfg. Co.

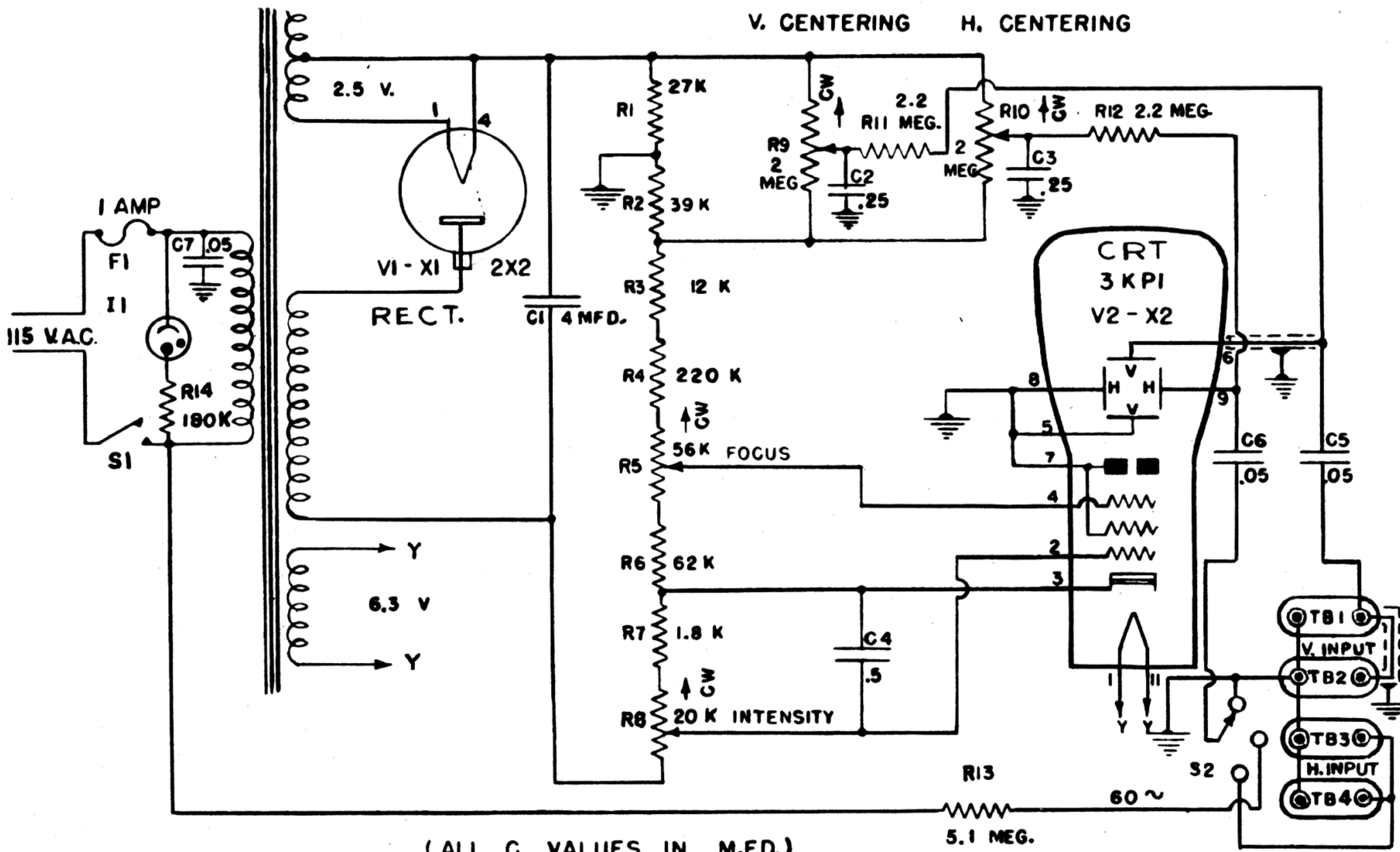
MILLEN MODEL 90903

DEFLECTION FACTORS

Vertical-Deflection Plates D.c., 100 volts/inch
 Horizontal-Deflection Plates D.c., 120 volts/inch

LINE RATING 105-125 volts, 60 cps

The schematic circuit diagram of Model 90903 as shown in Fig. 22-39. This instrument is very similar to Model 90902, the main difference being that a 3-inch rather than a 2-inch tube is used.



(ALL C VALUES IN M.F.D.)

USE THIS SCHEMATIC ON SERIAL NUMBERS ABOVE 132

Fig. 22-39.—Schematic of Millen Model 90903.

Courtesy Millen Mfg. Co.