

# COMMERCIAL OSCILLOSCOPES AND RELATED EQUIPMENT

## MILLEN MODEL 90905

### DEFLECTION FACTORS

Vertical-Deflection Plates 16 rms volts/inch  
Horizontal-Deflection Plates 19 rms volts/inch

LINE RATING 105-125 volts, 60 cps

This schematic circuit diagram is shown in Fig. 22-40. This instrument is similar to the previous two Millen models, Models 90902 and 90903, except that a separate negative supply is used.

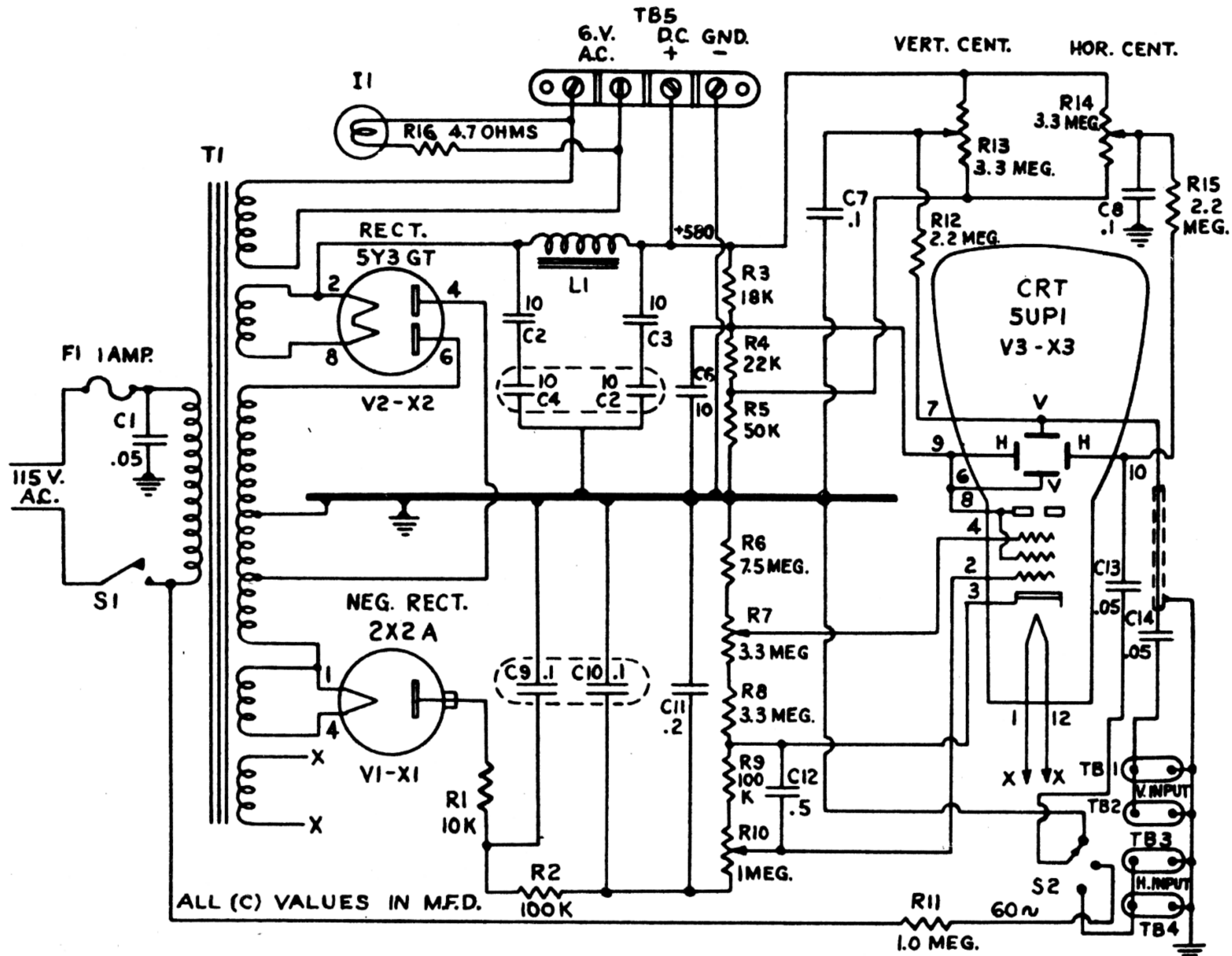


Fig. 22-40.—Schematic of Millen Model 90905.

Courtesy Millen Mfg. Co.

## MILLEN MODEL 90921

### FREQUENCY RESPONSE

Vertical Amplifier 15 cps to 125 kc, 2 db  
Horizontal Amplifier 15 to 125 kc  
Sweep Circuit 15 cps to 40,000 cps  
LINE RATING 105-125 volts, 60 cps

### TUBE COMPLEMENT

6SJ7 (V1) Horizontal-Voltage Amplifier  
6SN7 (V2) Sweep Oscillator  
5Y3GT (V3) Low-Voltage Rectifier

The schematic circuit diagram of Model 90921 is shown in Fig. 22-41. This instrument is a basic sweep oscillator and deflection amplifier system that may be used in conjunction with Millen or other basic oscilloscopes to form a composite oscilloscope that would be the equivalent of a standard instrument. This apparatus, itself, does not contain the cathode-ray tube.

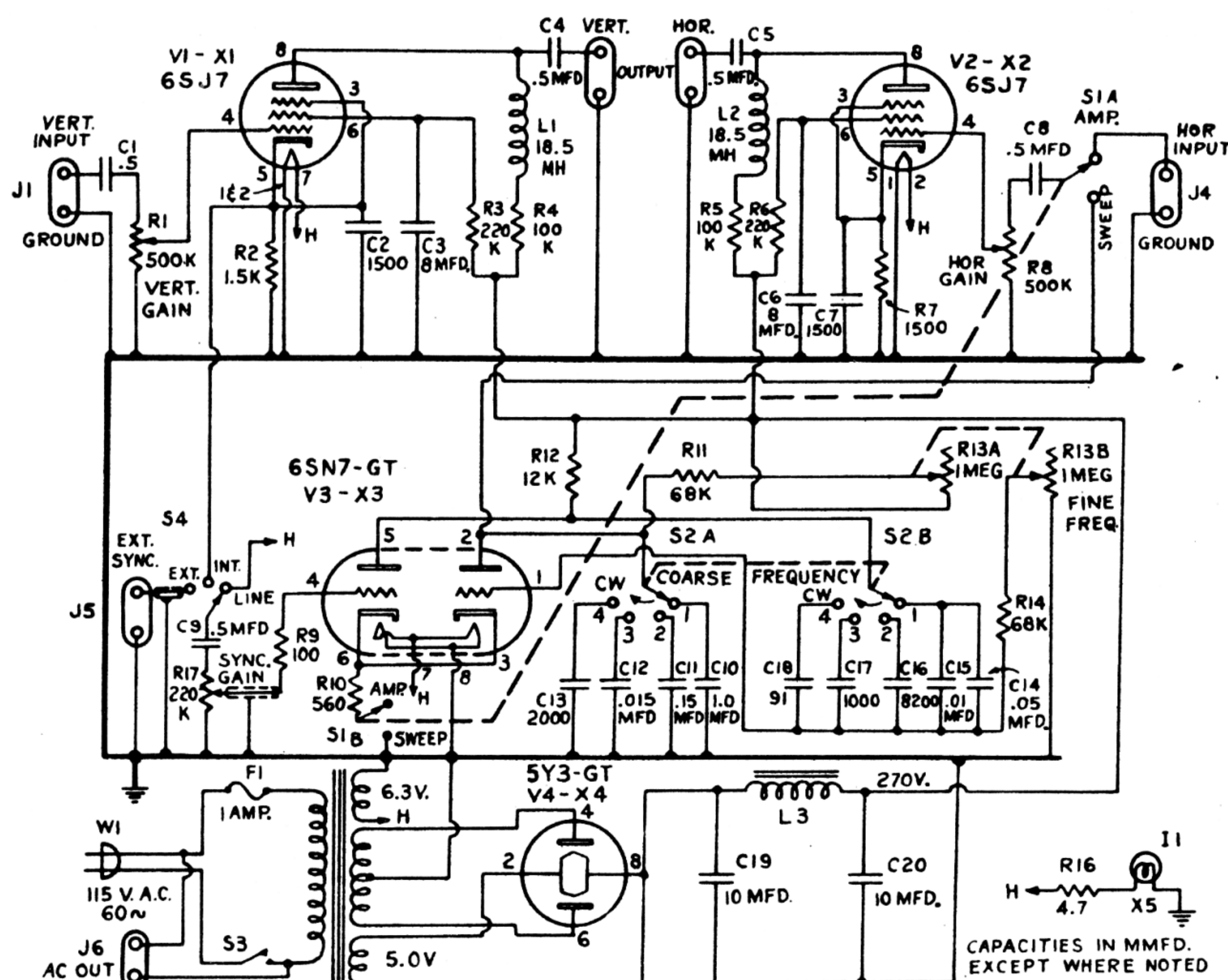


Fig. 22-41.—Schematic of Millen Model K90921.

Courtesy Millen Mfg. Co.