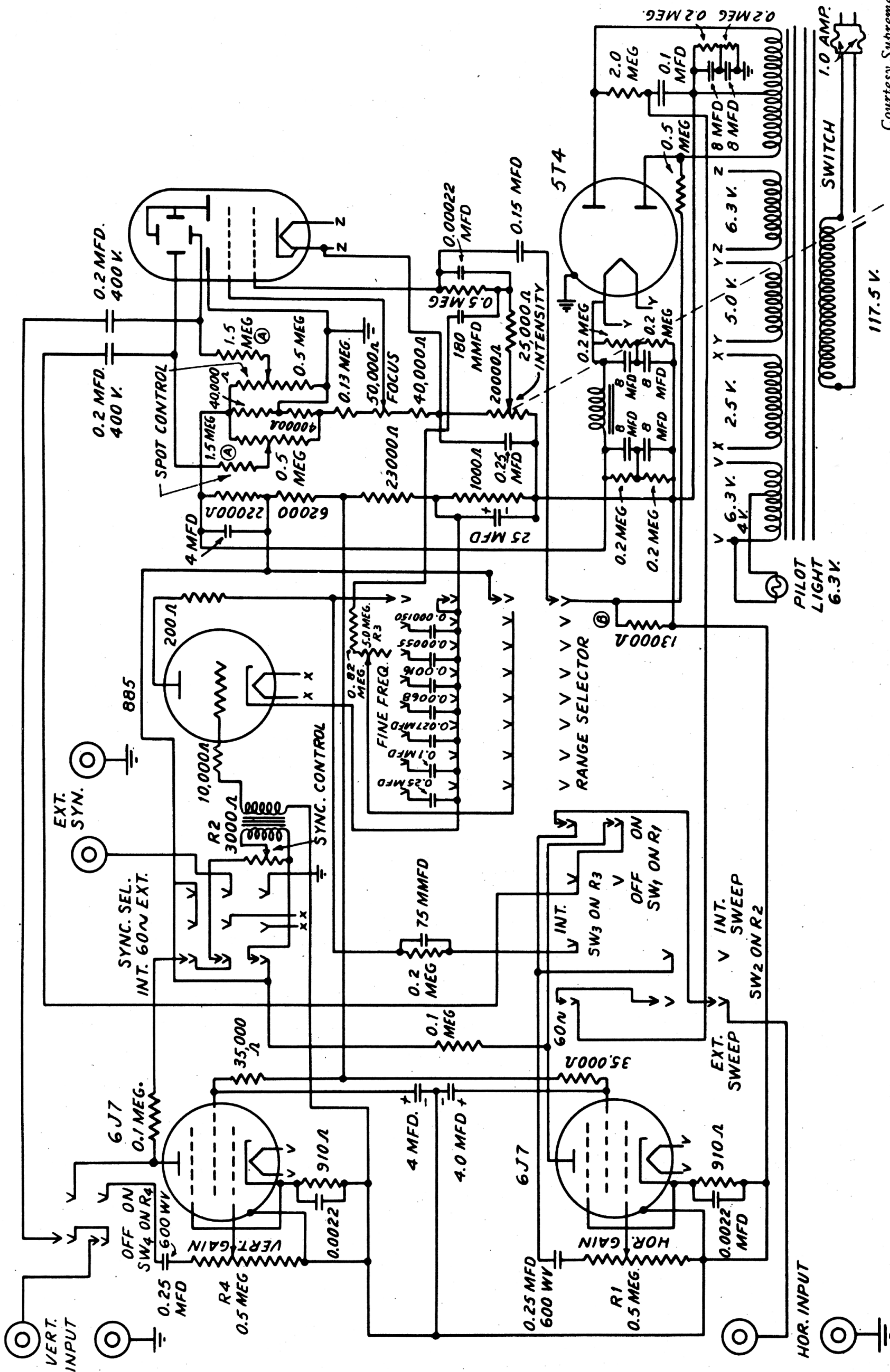


COMMERCIAL OSCILLOSCOPES AND RELATED EQUIPMENT



Courtesy Supreme Inst. Corp.

**SUPREME MODEL 535**

LINE RATING 117 volts, 60 cps

TUBE COMPLEMENT

- |      |                      |
|------|----------------------|
| Type | Function             |
| 6J7  | Vertical Amplifier   |
| 6J7  | Horizontal Amplifier |
| 885  | Sweep Oscillator     |
| 5T4  | Rectifier            |
| 24XH | Cathode-Ray Tube     |

The schematic circuit diagram of Model 535 is shown in Fig. 22-61.

DATE	WAS	INDEX
1-26-39	2.7 MEG	A
1-27-39	3700 Ω	B

Fig. 22-61.—Schematic of Supreme Model 535.