



SUPREME

TEST INSTRUMENT BULLETIN



Our 27th Year

Greenwood, Mississippi, U. S. A.

Second Quarter 1954

WHITE DOTS FOR COLOR TV

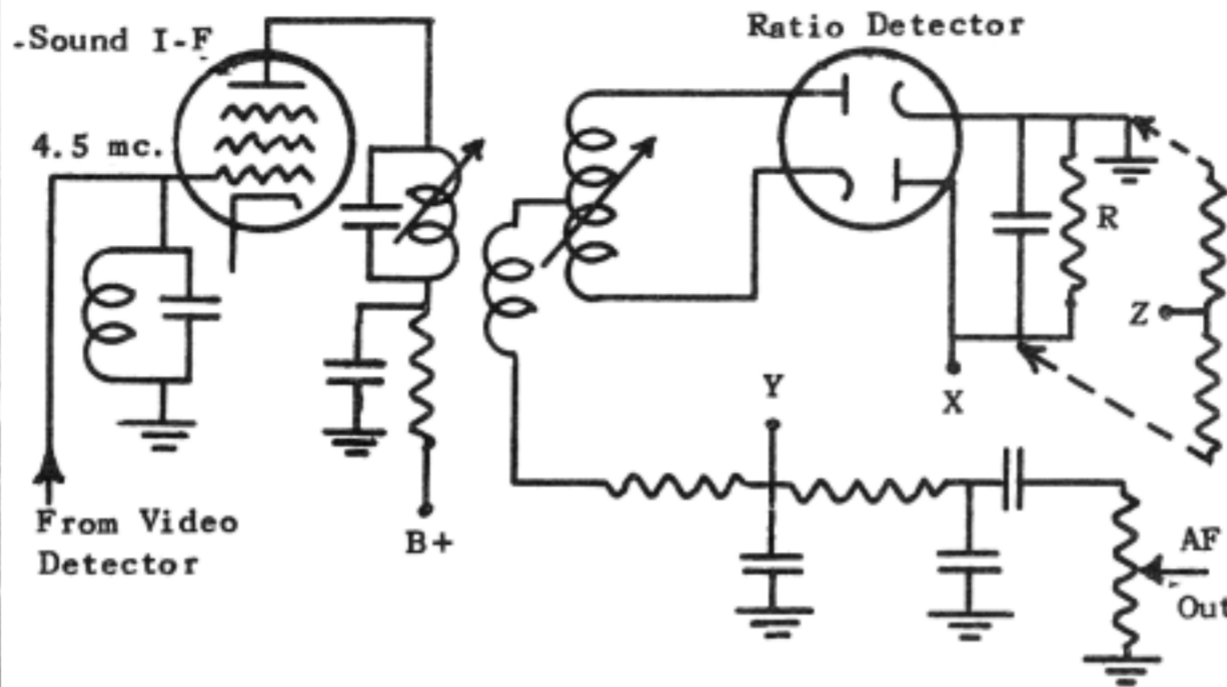
An Added Feature Of Model 665

A simple modification can be made on the Model 665 Composite Video Generator so that it will produce either a "black dot" or a "white dot" pattern on a TV set. The "white dot" pattern is useful for checking convergence on color sets.

Quick Change

After the modification, a flip of a switch will change the "black dot" pattern to a "white dot" pattern.

(Continued on page 2, col. 1)



TV SOUND ALIGNMENT

Alignment of the sound section of intercarrier sets is required more often than that of the video i-f's. The procedure should be clearly understood by every service technician. Practically all TV set manufacturers are now using the ratio detector circuit rather than the limiter-discriminator circuit.

The above illustration shows a typical ratio detector circuit with one sound i-f stage preceding. Alignment of this section can be accomplished by the use of a signal generator and VTVM. The following procedure is used:

1. Connect the unmodulated 4.5 mc. signal generator to the video detector output. Connect the negative lead of the VTVM to point "X" and the positive lead to chassis.
2. Adjust the sound takeoff transformer and the ratio detector primary for maximum output on the VTVM.
3. Connect in series two resistors of around 100,000 ohms which are within 1% of the same value. Fasten the open ends to alligator clips and connect across resistor "R".
4. Connect the VTVM across points "Y" and "Z". (Polarity is optional.)
5. Adjust secondary of ratio detector for "zero" voltage on VTVM. (A slight adjustment of the slug in either direction will give a positive or negative reading.)

An alternate method of adjusting the ratio detector secondary is to use an amplitude modulated 4.5 mc. signal and adjust the secondary slug for minimum AF signal across the volume control.

THEY CHANGED THE PICTURE

Jobbers Played Important Role In Electronic Progress

There were some tough supply problems for the radio serviceman of 25 or 30 years ago. The need for a simple grid leak resistor or input audio transformer could keep a set in the shop for months. Such items usually had to be ordered from the set manufacturer whose setup was not geared for parts sales.

Bottleneck Eliminated

This delivery time, thanks to the parts distributor, has been reduced to a fraction of what it used to be. This means that the modern electronic technician can complete a job, collect for his services in locating the trouble and not tie up valuable time (money) waiting on parts. He now enjoys a much more profitable operation than his predecessors.

Central Supply Agent

Parts cost the technician less nowadays. Twenty-five years ago a set manufacturer didn't like to see an order for parts. The expense of getting them to the servicemen was high -- far more than what it took to make them. If he could make one large shipment to an area instead of hundreds of small ones, the cost would drop considerably. The size of the order required would be more than a large radio service firm could use in a lifetime. Here the parts distributor came into the picture and placed one order for a lot of servicemen. The savings were so great that the jobber could sell the part for less to the serviceman and still make a profit.

No Inventory Risk

Since the technician is not in the parts business, (Continued on page 2, col. 3)

PURSUIT OF KNOWLEDGE

The busy technician gains a great part of his knowledge by reading. The reading habits of the technician are not fully understood by many writers. He must do his studying and have his recreation after hours. Thus, subject matter must be accurate, concise, unbiased with commercial slants and well illustrated.

Your Help Needed

To assist technicians in locating profitable reading matter, "Perusing the Pages" is being instituted beginning with this issue. References to outstanding writings in the field of electronics will be put in the spotlight.

We would like for all readers of the Test Instrument Bulletin to let us know when they find an item that meets the above requirements.

SUPREME TUBE SETTING SERVICE, BOX 9552
GREENWOOD, MISSISSIPPI

Enclosed is \$1.25. Please forward by air mail latest edition of roll chart for my SUPREME Model _____ Tube Tester. The number of my old chart is _____

Name _____
Address _____
City _____ State _____

Be sure to give number on old chart!
No C.O.D.'s please!

ARE YOU INTERESTED?

Electronic service associations are, not only, assisting members in becoming more proficient as both technicians and businessmen; they are actually doing much to upgrade the entire electronics service profession.

United Effort

The very fact that so many successful technicians are members of these service groups is indicative of the tremendous value in group activity. By getting together, they can really fight situations which bring discredit to all technicians and have a big effect on profitable operations. Every day these service associations are playing a more important role by gaining recognition for technicians as being an important part of the electronic industry and community life.

Press Recognition

Leading trade journals are devoting more and more space to these technician groups. If you are interested in getting the address of your state association, write the editor of the Supreme Test Instrument Bulletin. If a state association has not been formed, we will give you the addresses of local groups near you.

WHITE DOTS FOR COLOR TV

(Cont'd from page 1, col. 1)

or vice versa. Meanwhile, the set remains in perfect synchronization and interlace.

Owners of the Supreme Model 665 can obtain complete information regarding this modification by writing to the factory, giving serial number of their generator and requesting modification instructions no. 3516-A.

YOUR RESEARCH INVESTMENT KEEPS WORKING

Good Design Necessary For Quality Equipment

Successful electronic technicians rely more on test instruments than those with less experience and know-how. The more a technician uses test instruments, the more critical he is in selecting a new model.

Dependable Design

Quality in a test instrument is more than using materials of acceptable grade and giving it a professional appearance. The quality to look for is the design that can be relied on to produce reliable facts. From these facts or measurements he makes a diagnosis that should be right the first time.

Advancing The Art

A quality design requires thousands of man hours. Several engineers may work on a design for a year or more before actually showing a real improvement over earlier models. The experienced technician expects the instrument he buys to include a part of the design expense. On the better grade instruments this might represent 5% of the selling price or only \$10.00 on a \$200.00 tester. This \$10.00 is not a profit. It is only a minute part of the recovered expense the manufacturer will spend again to design a new model that advances the art of electronic service.

Reflects Skill

A technician knows that he can pay less and get an old model with a new face. He also knows that it will not be in keeping with the skill he has acquired. It will actually cost him far too much to worry with an inferior design regardless of how good the parts used or how low the selling price. The \$10.00 he invested in a \$20,000.00 design will pay big dividends.

NEW SETTINGS FOR SUPREME TESTERS

For Models 600 and 616.

3A3	56 E 2 5 7
6AN8	22 C 4 7 3589
6AN8	18 C 4 7 2359
6BD4	99 B 2 7 17
6CU6	19 C 2 7 78

Revised Settings

12AZ7 (45)	18 C 9 7 345
12AZ7	18 C 9 7 458

For Models 589, 599 & 504-A,B.

3A3	2 4 62 E 7
6AN8	4 6 22 C 358
6AN8 (a4X3)	4 6 18 C 235
6BD4	2 6 99 B 17
6CU6	2 6 19 C 78

(a4X3) Connect lead on 9544X adapter to pin no. 3 of the loctal socket.

NOW IN STOCK FOR

IMMEDIATE DELIVERY

Model 440 Ohmmeter-----	\$11.50
Model 542-B Multimeter--	\$27.70
Model 543-B Multimeter--	\$24.60
Model 655 Oscilloscope-	\$126.50
Model 660 Oscilloscope-	\$287.60
Model 665 Generator----	\$389.50

If Supreme instruments are not displayed by a distributor near you, send your order to factory for shipment direct. Supreme pays transportation if full purchase price accompanies order. C.O.D. shipments require 30% deposit. Ask about 10 day trial offer.

THEY CHANGED THE PICTURE

(Cont'd from page 1, col. 4)

it is risky for him to have more on his shelves than needed for his immediate requirements. As the number of parts distributors increased, they located nearer the technician. Thus, servicemen even in the smaller towns could reduce their parts inventory and rely on jobbers' stocks for "non-staple" items.

Perusing the PAGES

MAGAZINES

AUTHOR ---- (EDITOR)
(Page 23, March-1954
TECHNICIAN)

AUTHOR ---- R. G. MIDDLETON
(Page 62, April 1954
RADIO & TV NEWS)

BOOKS

"INTRODUCTION TO COLOR TV"
(A Rider Publication)

SAVE THAT TUBE!

On an AC-DC radio which has a bad 35Z5, or other type rectifier, it's a good idea to check for a shorted filter before inserting a new tube.

This can be easily done without taking the set out of the cabinet. Simply remove the defective rectifier tube and measure resistance with an ohmmeter from the AC plug (both contacts connected together) and the cathode contact of the rectifier socket (pin 8 on a 35Z5). The power switch on the set should be in the "on" position.

A NEW EDITION OF THE ROLL CHART FOR SUPREME TUBE TESTER MODELS 589, 599, 504B AND ALSO THE "A" SERIES WILL BE RELEASED AROUND THE MIDDLE OF JULY.

ORDER YOUR NEW CHART NOW SO YOU CAN GET DELIVERY AS SOON AS THEY COME OFF THE PRESS. ORDER CHART NUMBER 4965-544.

THE PRICE IS STILL \$1.25.



Model 665
\$389.50

FROM SUPREME, INCORPORATED
GREENWOOD, MISSISSIPPI

REDER DRUG CO
BLUE RAPIDS KAN

Sec. 34.66 P.L.&R.
U. S. POSTAGE
PAID
Greenwood, Miss.
Permit No. 81

311426

Printed in U.S.A.

RETURN POSTAGE GUARANTEED



Publication Digitized and Provided By

www.StevenJohnson.com

Vintage Schematics, and Publications

Steve's Antique Technology